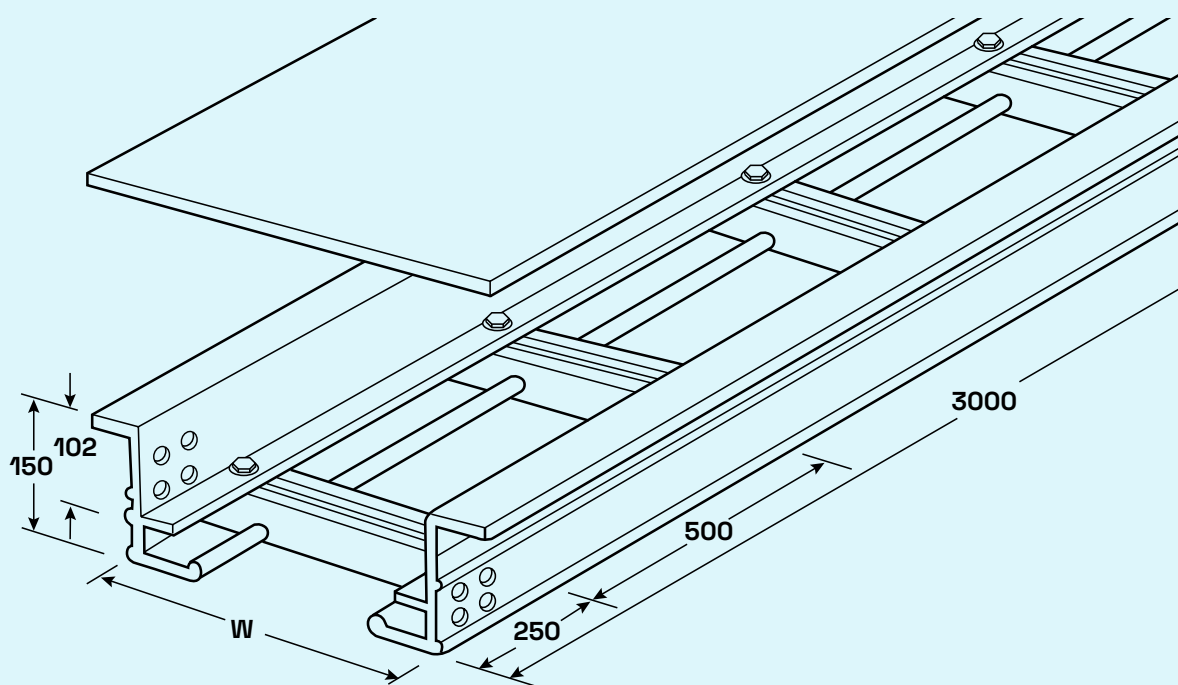


MITA[®] GRP CABLE SUPPORT SOLUTIONS CATALOGUE 2023



We are back. As a matter of fact, we never left.

We have been supporting our customers through their technical journey on choosing the right product in cable support applications for almost 100 years now. We cannot hide our enthusiasm having the 50 year young legend, **Mita**[®], back on track in the UK market. With our **Mita**[®] **GRP Cable Ladder, Tray, Troughing and Strut** ranges, we continue to lead the industry towards a sustainable future.

We are dedicated to bring the best-in-class products and services to you with the least time to market and highest competitive advantage. We now have our focus on you and are ambitious to grow together through our stand-alone presence in the UK and with our Made in UK[™] products which are fully compliant to the related standards.

We see a bright future where we continue to create clever uplifting solutions together. We are here, stronger than ever.

Patrick Arcidiacono

CEO
WIBE Group UK Ltd
WIBE Group International





General contents

Presentation	6
GRP Offer Snapshot	15
GRP Cable Ladders	21
GRP Trays and Troughing	42
Support System and Accessories	66

NOTE:

Any illustrations, drawings and descriptive matter contained in this catalogue or any other of the Company's publications are intended to be of a general informative nature only and Wibe Group and its agents or distributors reserve the right to modify, alter designs or change materials and finishes as deemed necessary or desirable. The Buyer shall not be entitled to reject goods by reasons of such modifications. Any dimensions given in this catalogue are nominal and components of differing sizes may differ in design.

Presentation



Mita® GRP Cable Support Solutions	8
What is GRP?.....	9
How is GRP manufactured?	9
Resin Types.....	10
Standards and Approvals.....	11
Features.....	12
Benefits	13

Mita® GRP Cable Support Solutions for any kind of application

As a leading manufacturer of corrosion resistant industrial cable support products, Mita® hereby presents all you need to carry and support each and every kind of electric cable, data, instrumentation, computer or power circuit without any doubt.

Our GRP offer includes a complete industrial cable support systems range specifically designed for harsh and corrosive environments. Whether you are specifying a

range of equipment for a major project or buying a selection of components for a simple maintenance installation, our range is unequalled.



What is GRP?

GRP is the abbreviation of Glass Reinforced Polymer, meaning it is a man-made resin based material which makes it a polymer, reinforced with glass.

Polymer itself is extremely strong. It is a fiber material and in contrary to how it sounds it is very durable. It is resistant to most chemicals, stretching and shrinking, resistant to mildew and abrasion as well. When it is reinforced with glass, it becomes a structural polymer. You can build and construct many things as well as cable ladders, trays, posts etc which are resistant to fire and highly corrosive environments. Further to these, GRP does not

conduct heat. It has extra durability to adverse weather conditions and has UV stability which makes it an excellent candidate for outdoor applications, even for Wind substations built in the middle of the sea. The range is composed of ladders, trays or so called troughs in rail business language and it can support any type of power and data cable runs.

How is it manufactured?

GRP is manufactured through a process called pultrusion.

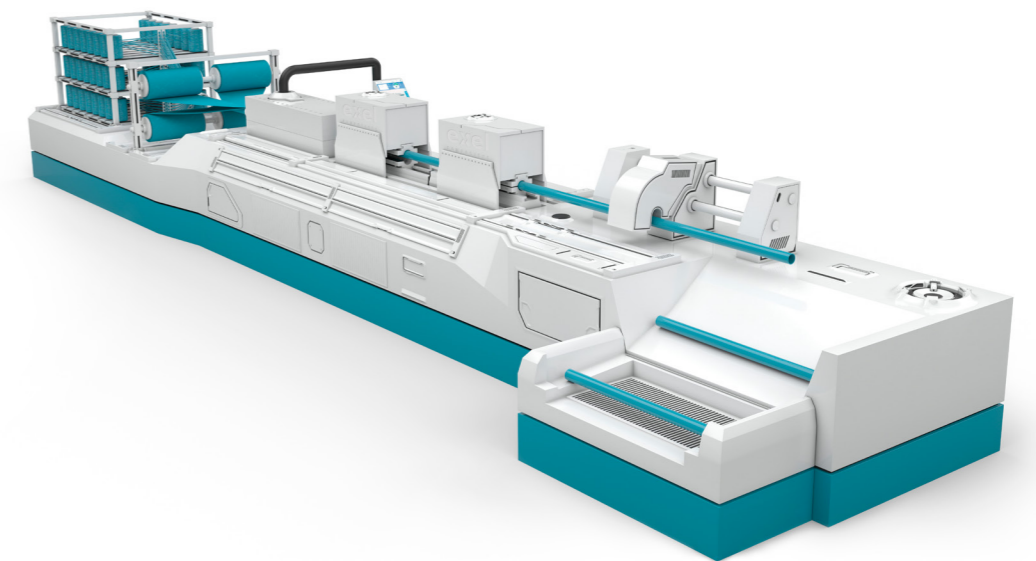


Image © 2020 Exel Composites Plc.

Above you see the glass rovings going into the resin bath, then mats are placed on to these to create the profile first and goes into the die which shapes and cures it in the form of a ladder or tray, and at the end of the line it is cut to the required length.

Pultruded Technology is used whenever the benefits of whole life cost are appreciated and although the process was originally developed in the USA around 50 years ago, low levels of technology have traditionally meant high costs and therefore applications suited mainly to the extreme longevity of the material.

Pultruded Composites consist of four or five main elements:

- 1) Glass rovings (strands) and mats - approx. 50% by weight
- 2) Resin - usually Polyester
- 3) Filler - usually Calcium Carbonate
- 4) UV Veil and UV additives
- 5) Fire Retardants as required

Pultruded composites remain largely impervious to corrosion regardless of application.

Resin Types

Mita® offers 4 main resin types to accommodate the requirements of various industrial applications which can be in chemically aggressive, demanding heated environments.

PY2

POLYESTER Type 2

Referencing Convention: Ending with PY2

This type of polyester is for general applications, is resistant to corrosion suitable in industries using heavy chemical and caustic materials, and resistant to UV light by nature.

PY1

POLYESTER Type 1

Referencing Convention: Ending with PY1

This type of polyester has better fire retardance which makes it suitable for railway, trackside and any other application requiring UL94 compliance and 5VA classification.

PY1C

POLYESTER Type 1 Carbon Loaded

Referencing Convention: Ending with PY1C

This type of polyester has anti-static properties as it contains carbon powder. It, therefore, requires grounding. It is for on-shore and off-shore oil and gas applications which are classified as explosive environment.

MX

MODIFIED ACRYLIC

Referencing Convention: Ending with MX

This type of material is in fact not a polyester but acrylic, and is great for any underground and tunnel application thanks to its BS6853 Smoke Emissions standard and BS476-6 Fire Test compliance.

Important Note About Corrosion:

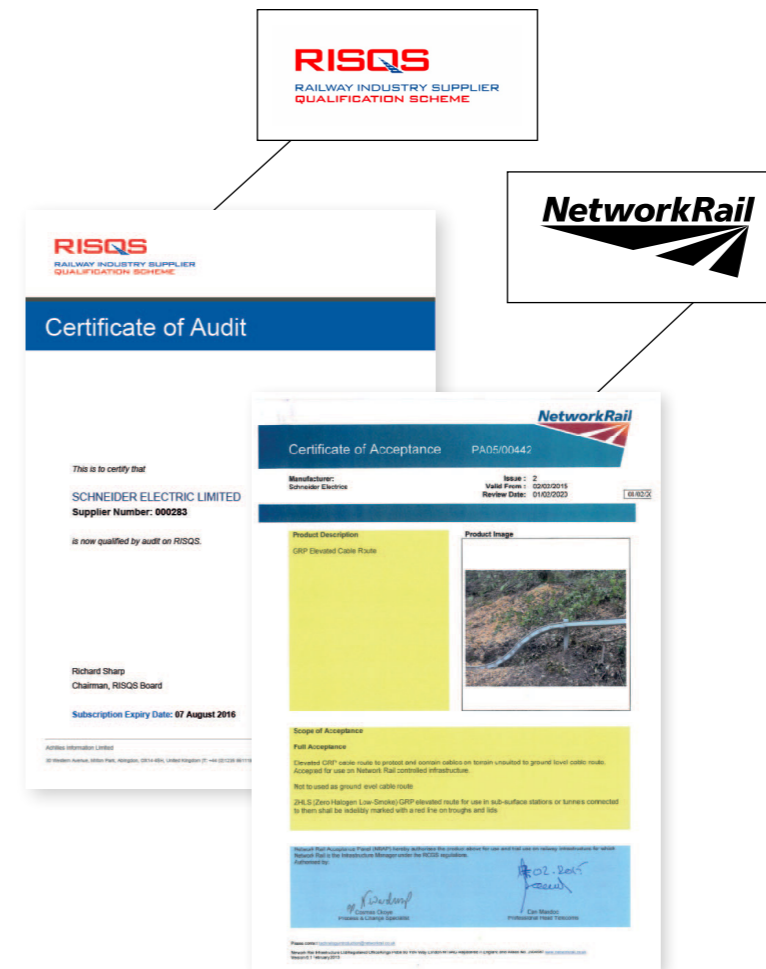
Not all the resins offered by Mita® will respond in the same way to different environments. It is important to be fully aware of the degree and type of exposure to any chemicals when designing the pultrusion.

The chemical and corrosion resistance properties of pultrusions are predominately attributed to the resin matrix used, because it protects the fibres.

The fibres themselves may have different corrosion resistance properties. When considering a particular resin system for an intended environment, the degree of exposure, the concentration of the corrosive element and the temperature of the environment must be known. The degree of corrosion resistance on the surface is achieved by the use of a surface mat or veil.

For further information around corrosion, please ask for the Corrosion Guide.

Approvals



Standards

Material	Standards
PY2	BS 476 Part 7
	BS EN 60695-2-12:2001
PY1	BS 476 Part 7
	UL 94 - V0
	UL 94 - 5VA
	BS EN 60695-2-12:2001
PY1C	BS476 Part 7
	UL94 - V0
	UL94 - 5VA
MX	NES713
	BS60079-0
	BS EN 60695-2-12:2001
	BS 476 Part 7
	BS 476 Part 6
	NES 713
	BS 6853 - D8.3
	BS 6853 -D8.4 Cat 1B
	BS 6853 - D8.6
	BS 6853 - Annex B2
	BS EN ISO 4589-2
	BS EN ISO 4589-3
	UL 94 V0
	UL 94 5VA
	BS EN ISO 4589-2
BS EN ISO 4589-3	
BS EN 60695-2-12:2001	

References

Wibe full reference	Wibe quick reference
Polyester Class 2	PY2
Polyester Class 1	PY1
Polyester Class 1 Anti Static	PY1C
Acrylic Class 0+	MX

Features

Light weight

Density and weight are significantly lower than steel (70% lighter than steel) with reduced handling requirements.

Compression strength

Despite its lower weight, tension, flexure and compression strength of GRP is almost 20 times that of steel with much greater safety factors. It does not deform permanently under high loads. Slow heat transfer allows for even stronger mechanical resistance.

Slow heat transfer and resistant to electromagnetic pulses

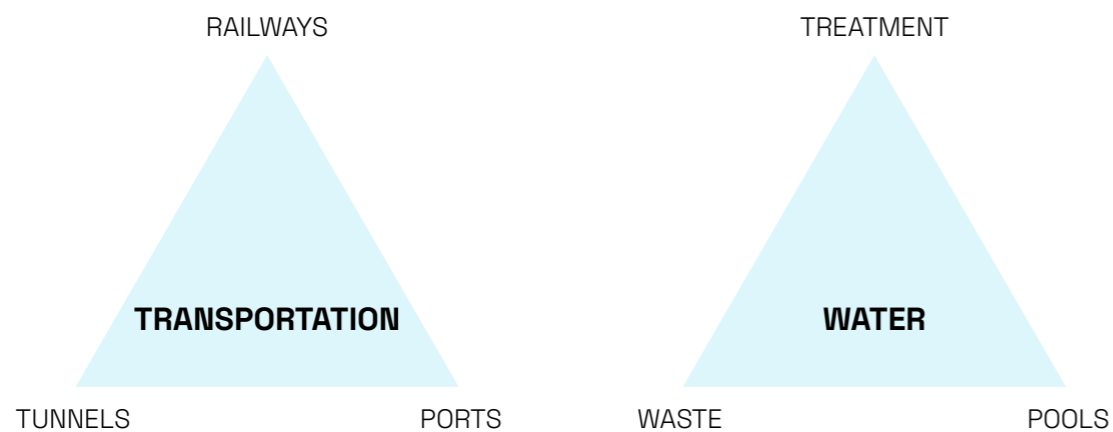
It is effective at temperatures between -40°C to +90°C. Resistant to electromagnetic pulses and transfers heat more slowly than steel. Composite materials are excellent insulators having a thermal conductivity 1/60 of a steel product, and do not require earthing.

Zero halogen, UV and corrosion resistance

GRP is resistant to UV and corrosion, and is zero halogen. It is also available in low smoke classified material.

Offer and design

Available in 3m and 6m lengths. Full range of pre-manufactured bends, jointing bays and transitions available for fast installation. Dedicated design facility to support bespoke solutions.



Benefits

Health and safety

Reduced risk of staff injuries due to its lightweight, easy to cut, no hot works requirement, no deburring and no sharp edges.

Low installation and transport costs

Typically between 30-40% less than steels with easier cutting, drilling and no deburring, painting or earthing.

Long life and low maintenance

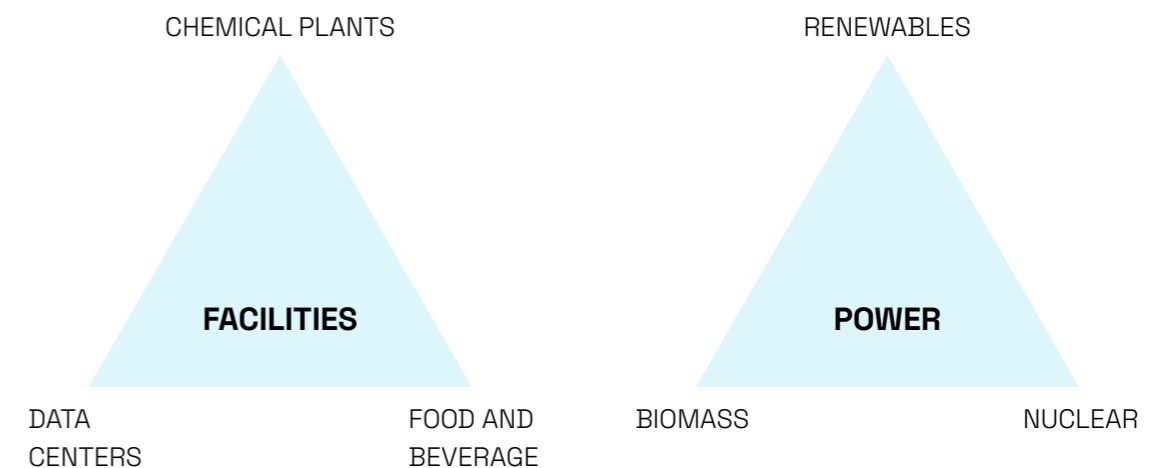
Composites are corrosion resistant and maintenance free. Our GRP products are designed and manufactured to withstand a majority of chemicals & extreme weather – without requiring further maintenance. No rusting, even when exposed to salt spray, H25, acid build up from exhaust gases or brake dust.

Fire performance

GRP is zero halogen. It has low heat and electrical conductivity, and is available in self extinguishing and low smoke material.

Installations and modifications are simpler

Our GRP solution offers a far easier installation, without the need for painting, earth bonding or special tools. Supplying 6m or 3m lengths reduces amount of couplers required.



GRP Offer Snapshot



- GRP Cable Support Solutions
for every application 16
- Technical Properties in a nutshell..... 17
- Cable Ladder Product Options 18
- Cable Tray / Troughing
Product Options 19

GRP Cable Support Solutions for every application

GRP (Glass Reinforced Polymer) cable support systems possess unique properties which enable them to resist many corrosive environments, particularly where conditions indicate that conventional materials may not provide an economic service life.

Constructed from glass reinforced thermoset resins, GRP is designed and manufactured with a structural integrity normally only associated with steel, but without their corrosion, weight and electrical conductivity problems.

As GRP is non conductive, there is no concern of transmitting electricity into the support system from damaged cables. Additionally there is no requirement for special support conditions to prevent electrolytic corrosion. Non conductive and non magnetic features mean a safer support system

Technical Properties in a nutshell

Mechanical Properties

Tensile Strength 20 - 30.6 kgf/mm²
 Compression Strength 20 - 30.6 kgf/mm²
 Flexural Strength 20 - 30.6 kgf/mm²
 Shear Strength 6.1 kgf/ mm²
 Density 1.7 - 1.9 g/ cm²
 Impact Strength 60-90 kgfcm/ cm²

Thermal Properties

Thermal Conductivity 0.2 - 0.3 kcal
 (mh°C)
 Oxygen Index 42%
 Operating Temperature -140 to + 120°C

Electrical Properties

Dielectric Strength 7-15kV/mm
 Insulation Resistance 3.16 x 10¹⁴

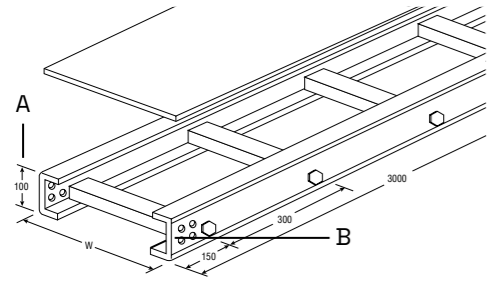
Weather Resistance

Water Absorption 24h = 0.15% 4 days =
 0.25%
 Weight Increase After 500h = 0.7%

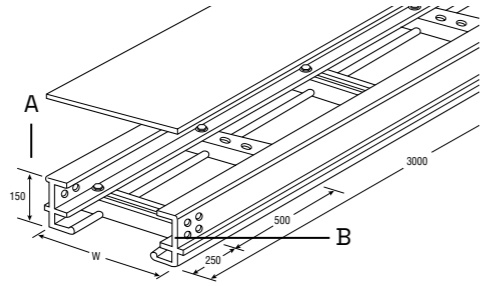


Cable Ladder Product Options

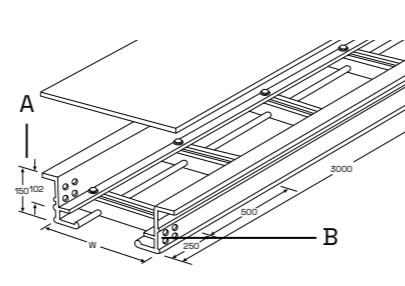
Ladders are available in heights from 100mm to 150mm with widths from 150mm to 1000mm.



GMLN LADDER
A: 100mm height
B: 'C'-Type section



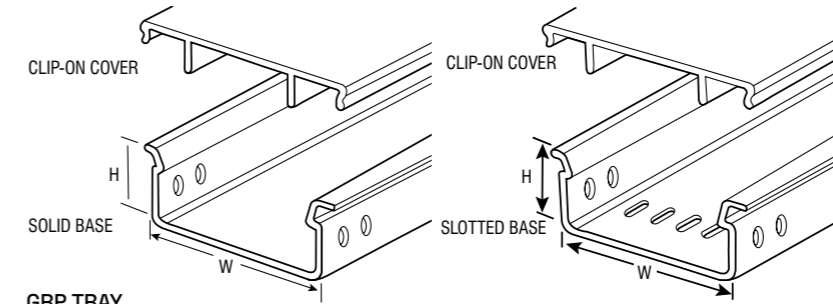
GAL LADDER
A: 150mm height
B: 'E'-Type section



GXL LADDER
A: 150mm height
B: 'Z'-Type section

Cable Tray / Troughing Product Options

Tray and troughing is available solid and slotted bottom, and in depths from 60mm to 210mm with widths from 50mm to 400mm.



GRP TRAY
Solid or Slotted base

Accessories

To compliment the offer, a full range of accessories are available such as:

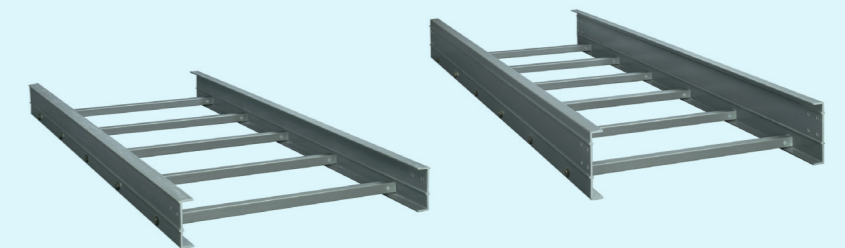
- 45° and 90° flat bends
- 45° and 90° external risers
- 45° and 90° internal risers
- Tees
- Crossovers
- Left hand and right hand reducers
- All accessories can be supplied with covers



GRP Cable Ladders



GMLN Series GRP Ladder	22
Ladder	22
Reducers	23
Bends.....	23
Risers	24
Tees & Crossovers.....	25
GAL Series GRP ladder	26
Ladder	26
Reducers	27
Bends.....	28
Risers	30
Tees & Crossovers.....	32
GXL Series GRP ladder	34
Ladder	34
Reducers	35
Bends.....	36
Risers	37
Tees & Crossovers.....	38
GRP Ladder - Coupler Table	40
Fastener Selection Chart	41



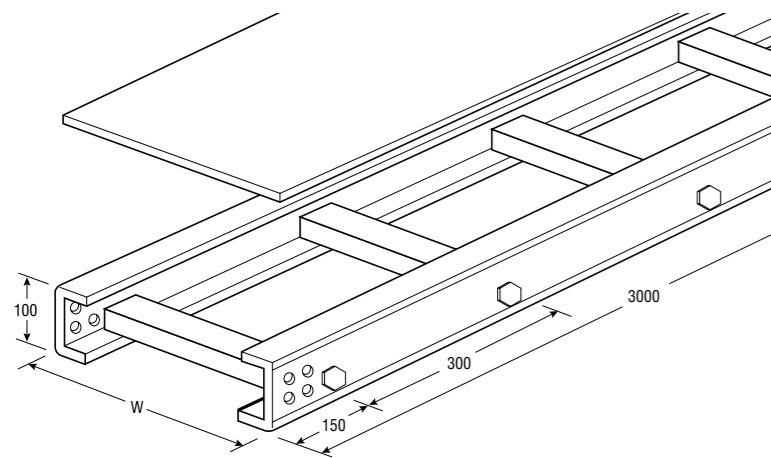
GRP (Glass Reinforced Polymer) provides excellent resistance to fire and the effects of corrosion.

Additionally GRP is not effected by temperature changes, adverse weather conditions, it provides UV stability resulting in the most cost effective long term solution.

GMLN Series GRP Ladder

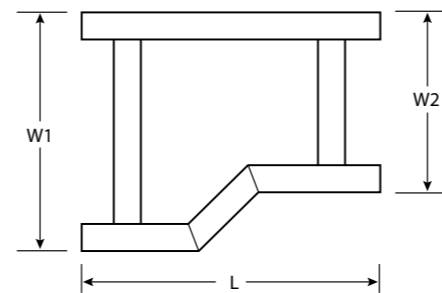
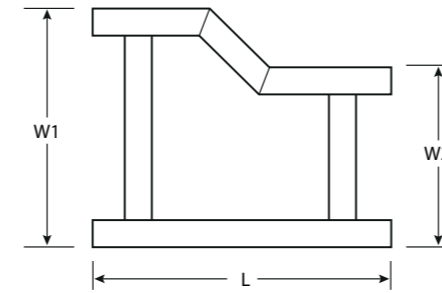
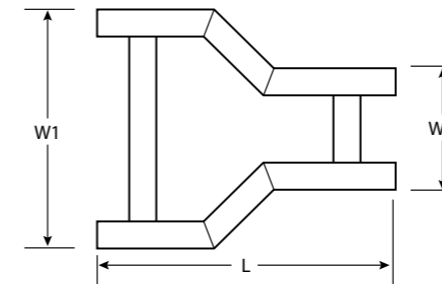
Selection & Ordering		
GMLN Series GRP Ladder	Standard Product	Alternative Options
		Please specify any alternative options required, on enquiry
	Please contact us for details of any minimum manufacturing quantities, lead times and price premiums which may apply	
Material	Polyester Resin Type 2 (PY2)	
Depth	100mm	
Length	3000mm	
Width	150-900mm	Sizes as required
Covers	Horizontal installation: Vertical installation: Fastener options; 1) 8xTRP6 2) 8xMSS3PH10 Fastener options; 1) 16xTRP6 2) 16xMSS3PH10 Fasteners to be equally spaced For TRP6, a 6mm hole needs to be drilled in the lid and ladder.	
Coupler Hole Diameter	M8 clearance	-
Rung Spacing	300mm	250, 500mm
Rung Configuration	Box section	-
Construction of Fittings	316 stainless steel bolts and assembly plates	UV resistant, non-metallic hardware and GRP assembly plates
Radius of Bends	300mm	600mm, 900mm or 1500mm
Angle of Bends	45° or 90°	30° or 60°
Associated Products and Additional Information References		
Couplers & Accessories Selection Table	26-27	
Fasteners	66	
FIBSTRUT™ GRP Support Channel	56	
Technical Section	Separate technical guide is available on request	
FIBARACK™*	* Patent Protected No. 0873477	

Ladder



GMLN GRP Cable Ladder				
Ref	W (mm)	D (mm)	L (mm)	Cover Ref
GMLN150PY2	150	100	3000	GCL150PY2
GMLN200PY2	200	100	3000	GCL200PY2
GMLN300PY2	300	100	3000	GCL300PY2
GMLN400PY2	400	100	3000	GCL400PY2
GMLN450PY2	450	100	3000	GCL450PY2
GMLN600PY2	600	100	3000	GCL600PY2
GMLN750PY2	750	100	3000	GCL750PY2
GMLN900PY2	900	100	3000	GCL900PY2

Reducers

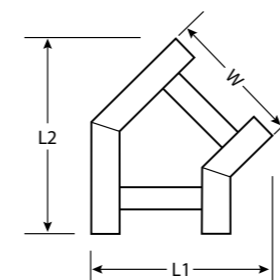
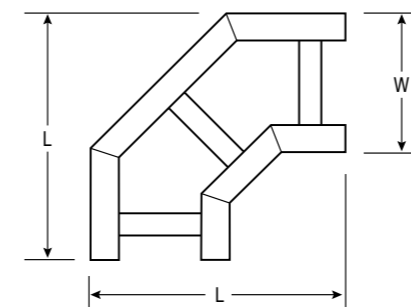


Reducer Straight				
Ref	W1 (mm)	W2 (mm)	L (mm)	Cover Ref
GMRN3015PY2	300	150	455	GCR3015PY2
GMRN4015PY2	400	150	505	GCR4015PY2
GMRN4030PY2	400	300	430	GCR4030PY2
GMRN4530PY2	450	300	455	GCR4530PY2
GMRN6030PY2	600	300	530	GCR6030PY2
GMRN6045PY2	600	450	455	GCR6045PY2
GMRN7560PY2	750	600	455	GCR7560PY2
GMRN9075PY2	900	750	455	GCR9075PY2

Reducer L/Hand				
Ref	W1 (mm)	W2 (mm)	L (mm)	Cover Ref
GMRLN3015PY2	300	150	530	GCRL3015PY2
GMRLN4015PY2	400	150	630	GCRL4015PY2
GMRLN4030PY2	400	300	480	GCRL4030PY2
GMRLN4530PY2	450	300	530	GCRL4530PY2
GMRLN6030PY2	600	300	680	GCRL6030PY2
GMRLN6045PY2	600	450	530	GCRL6045PY2
GMRLN7560PY2	750	600	530	GCRL7560PY2
GMRLN9075PY2	900	750	530	GCRL9075PY2

Reducer R/Hand				
Ref	W1 (mm)	W2 (mm)	L (mm)	Cover Ref
GMRRN3015PY2	300	150	530	GCRR3015PY2
GMRRN4015PY2	400	150	630	GCRR4015PY2
GMRRN4030PY2	400	300	480	GCRR4030PY2
GMRRN4530PY2	450	300	530	GCRR4530PY2
GMRRN6030PY2	600	300	680	GCRR6030PY2
GMRRN6045PY2	600	450	530	GCRR6045PY2
GMRRN7560PY2	750	600	530	GCRR7560PY2
GMRRN9075PY2	900	750	530	GCRR9075PY2

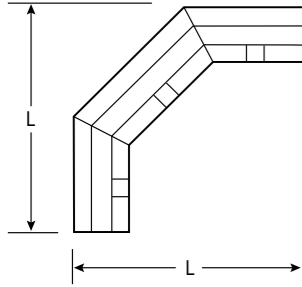
Bends



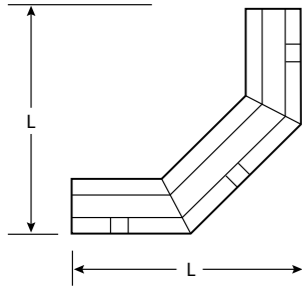
90° Flat Bend			
Ref	W1 (mm)	L (mm)	Cover Ref
GMAN150PY2	150	525	GCA150PY2
GMAN200PY2	200	575	GCA200PY2
GMAN300PY2	300	675	GCA300PY2
GMAN400PY2	400	775	GCA400PY2
GMAN450PY2	450	825	GCA450PY2
GMAN600PY2	600	975	GCA600PY2
GMAN750PY2	750	1125	GCA750PY2
GMAN900PY2	900	1275	GCA900PY2

45° Flat Bend				
Ref	W (mm)	L1 (mm)	L2 (mm)	Cover Ref
GMAN1545PY2	150	226	437	GCA1545PY2
GMAN2045PY2	200	297	472	GCA2045PY2
GMAN3045PY2	300	438	543	GCA3045PY2
GMAN4045PY2	400	580	614	GCA4045PY2
GMAN4545PY2	450	650	649	GCA4545PY2
GMAN6045PY2	600	862	755	GCA6045PY2
GMAN7545PY2	750	1075	861	GCA7545PY2
GMAN9045PY2	900	1287	968	GCA9045PY2

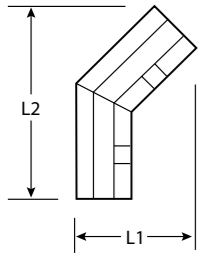
Risers



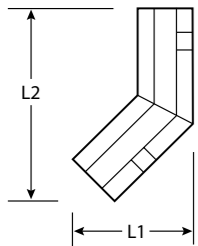
External 90° Riser				
Ref	W (mm)	L (mm)	Cover Ref	
GMEN150PY2	150	467	GCE150PY2	
GMEN200PY2	200	467	GCE200PY2	
GMEN300PY2	300	467	GCE300PY2	
GMEN400PY2	400	467	GCE400PY2	
GMEN450PY2	450	467	GCE450PY2	
GMEN600PY2	600	467	GCE600PY2	
GMEN750PY2	750	467	GCE750PY2	
GMEN900PY2	900	467	GCE900PY2	



Internal 90° Riser				
Ref	W (mm)	L (mm)	Cover Ref	
GMIN150PY2	150	467	GCI150PY2	
GMIN200PY2	200	467	GCI200PY2	
GMIN300PY2	300	467	GCI300PY2	
GMIN400PY2	400	467	GCI400PY2	
GMIN450PY2	450	467	GCI450PY2	
GMIN600PY2	600	467	GCI600PY2	
GMIN750PY2	750	467	GCI750PY2	
GMIN900PY2	900	467	GCI900PY2	

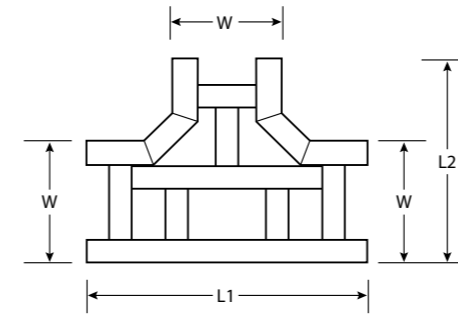


External 45° Riser					
Ref	W1 (mm)	L1 (mm)	L2 (mm)	Cover Ref	
GMEN1545PY2	150	234	395	GCE1545PY2	
GMEN2045PY2	200	234	395	GCE2045PY2	
GMEN3045PY2	300	234	395	GCE3045PY2	
GMEN4045PY2	400	234	395	GCE4045PY2	
GMEN4545PY2	450	234	395	GCE4545PY2	
GMEN6045PY2	600	234	395	GCE6045PY2	
GMEN7545PY2	750	234	395	GCE7545PY2	
GMEN9045PY2	900	234	395	GCE9045PY2	

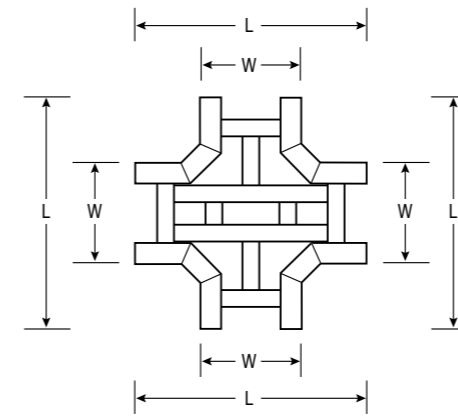


Internal 45° Riser					
Ref	W1 (mm)	L1 (mm)	L2 (mm)	Cover Ref	
GMIN1545PY2	150	234	395	GCI1545PY2	
GMIN2045PY2	200	234	395	GCI2045PY2	
GMIN3045PY2	300	234	395	GCI3045PY2	
GMIN4045PY2	400	234	395	GCI4045PY2	
GMIN4545PY2	450	234	395	GCI4545PY2	
GMIN6045PY2	600	234	395	GCI6045PY2	
GMIN7545PY2	750	234	395	GCI7545PY2	
GMIN9045PY2	900	234	395	GCI9045PY2	

Tees & Crossovers



rung configuration will change with width



rung configuration will change with width

Equal Tee					
Ref	W (mm)	L1 (mm)	L2 (mm)	Cover Ref	
GMTN150PY2	150	892	525	GCT150PY2	
GMTN200PY2	200	942	575	GCT200PY2	
GMTN300PY2	300	1042	675	GCT300PY2	
GMTN400PY2	400	1144	775	GCT400PY2	
GMTN450PY2	450	1192	825	GCT450PY2	
GMTN600PY2	600	1342	975	GCT600PY2	
GMTN750PY2	750	1492	1125	GCT750PY2	
GMTN900PY2	900	1642	1275	GCT900PY2	

Equal Cross				
Ref	W (mm)	L (mm)	Cover Ref	
GMXN150PY2	150	892	GCX150PY2	
GMXN200PY2	200	942	GCX200PY2	
GMXN300PY2	300	1042	GCX300PY2	
GMXN400PY2	400	1142	GCX400PY2	
GMXN450PY2	450	1192	GCX450PY2	
GMXN600PY2	600	1342	GCX600PY2	
GMXN750PY2	750	1492	GCX750PY2	
GMXN900PY2	900	1642	GCX900PY2	

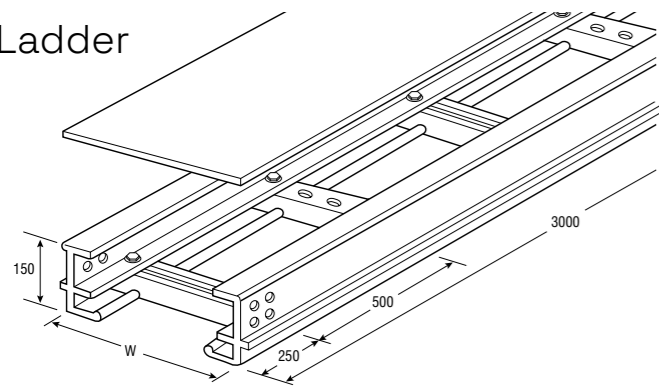
End Caps	
Ref	Ladder Width (mm)
ENDGMLN150PY2	150
ENDGMLN200PY2	200
ENDGMLN300PY2	300
ENDGMLN400PY2	400
ENDGMLN450PY2	450
ENDGMLN600PY2	600
ENDGMLN750PY2	750
ENDGMLN900PY2	900
ENDGXL1000MX	1000

GAL Series GRP ladder

Selection & Ordering		
GAL Series GRP Ladder	Standard Product	Alternative Options
		Please specify any alternative options required, on enquiry
	Please contact us for details of any minimum manufacturing quantities, lead times and price premiums which may apply	
Material	Polyester Resin Type 2 (PY2, PY1C)	
Depth	150mm	
Length	3000mm	6000mm
Width	150-1000mm	Sizes as required
Covers	Horizontal installation: Fastener options; 1) 8xTRP6 2) 8xMSS3PH10 Vertical installation: Fastener options; 1) 16xTRP6 2) 16xMSS3PH10 Fasteners to be equally spaced For TRP6, a 6mm hole needs to be drilled in the lid and ladder.	
Coupler Hole Diameter	M8 clearance	-
Rung Spacing	500mm	250, 300mm
Rung Configuration	Rungs alternate face up / face down	As required
Construction of Fittings	316 stainless steel bolts and assembly plates	UV resistant, non-metallic hardware and GRP assembly plates
Radius of Bends	300mm	600mm, 900mm or 1500mm
Angle of Bends	45° or 90°	30° or 60°

Associated Products and Additional Information References	Page Number
Couplers & Accessories Selection Table	26-27
Fasteners	66
FIBSTRUT™ GRP Support Channel	56
Technical Section	Separate technical guide is available on request
FIBARACK™*	* Patent Protected No. 0873477

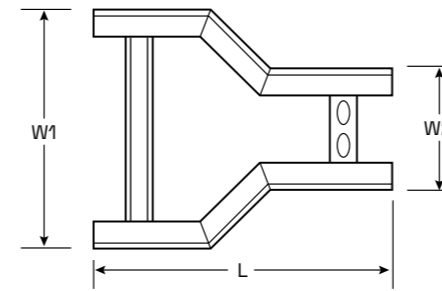
Ladder



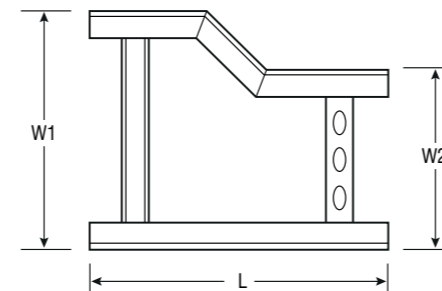
GAL Ladder				
Ref	W (mm)	D (mm)	L (mm)	Cover Ref
GAL150PY2	150	150	3000	GEL150PY2
GAL200PY2	200	150	3000	GEL200PY2
GAL300PY2	300	150	3000	GEL300PY2
GAL400PY2	400	150	3000	GEL400PY2
GAL450PY2	450	150	3000	GEL450PY2
GAL600PY2	600	150	3000	GEL600PY2
GAL750PY2	750	150	3000	GEL750PY2
GAL900PY2	900	150	3000	GEL900PY2
GAL1000PY2	1000	150	3000	GEL1000PY2

GAL Ladder				
Ref	W (mm)	D (mm)	L (mm)	Cover Ref
GAL150PY1	150	150	3000	GEL150PY1
GAL200PY1	200	150	3000	GEL200PY1
GAL300PY1	300	150	3000	GEL300PY1
GAL400PY1	400	150	3000	GEL400PY1
GAL450PY1	450	150	3000	GEL450PY1
GAL600PY1	600	150	3000	GEL600PY1
GAL750PY1	750	150	3000	GEL750PY1
GAL900PY1	900	150	3000	GEL900PY1
GAL1000PY1	1000	150	3000	GEL1000PY1
GAL150PY1C	150	150	3000	GEL150PY1C
GAL200PY1C	200	150	3000	GEL200PY1C
GAL300PY1C	300	150	3000	GEL300PY1C
GAL400PY1C	400	150	3000	GEL400PY1C
GAL450PY1C	450	150	3000	GEL450PY1C
GAL600PY1C	600	150	3000	GEL600PY1C
GAL750PY1C	750	150	3000	GEL750PY1C
GAL900PY1C	900	150	3000	GEL900PY1C
GAL1000PY1C	1000	150	3000	GEL1000PY1C

Reducers

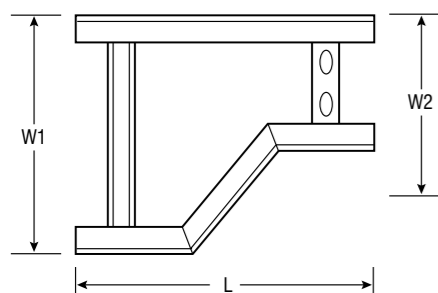


Reducer Straight				
Ref	W1 (mm)	W2 (mm)	L (mm)	Cover Ref
GAR3015PY2	300	150	475	GER3015PY2
GAR4015PY2	400	150	525	GER4015PY2
GAR4030PY2	400	300	450	GER4030PY2
GAR4530PY2	450	300	475	GER4530PY2
GAR6030PY2	600	300	550	GER6030PY2
GAR6045PY2	600	450	475	GER6045PY2
GAR7560PY2	750	600	475	GER7560PY2
GAR9075PY2	900	750	475	GER9075PY2
GAR1060PY2	1000	600	600	GER1060PY2
GAR1075PY2	1000	750	525	GER1075PY2
GAR3015PY1	300	150	475	GER3015PY1
GAR4015PY1	400	150	525	GER4015PY1
GAR4030PY1	400	300	450	GER4030PY1
GAR4530PY1	450	300	475	GER4530PY1
GAR6030PY1	600	300	550	GER6030PY1
GAR6045PY1	600	450	475	GER6045PY1
GAR7560PY1	750	600	475	GER7560PY1
GAR9075PY1	900	750	475	GER9075PY1
GAR1060PY1	1000	600	600	GER1060PY1
GAR1075PY1	1000	750	525	GER1075PY1
GAR4015PY1C	400	150	525	GER4015PY1C
GAR4030PY1C	400	300	450	GER4030PY1C
GAR4530PY1C	450	300	475	GER4530PY1C
GAR6030PY1C	600	300	550	GER6030PY1C
GAR6045PY1C	600	450	475	GER6045PY1C
GAR7560PY1C	750	600	475	GER7560PY1C
GAR9075PY1C	900	750	475	GER9075PY1C
GAR1060PY1C	1000	600	600	GER1060PY1C
GAR1075PY1C	1000	750	525	GER1075PY1C



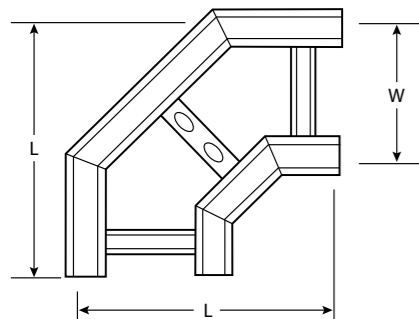
Reducer L/Hand				
Ref	W1 (mm)	W2 (mm)	L (mm)	Cover Ref
GARL3015PY2	300	150	530	GERL3015PY2
GARL4015PY2	400	150	630	GERL4015PY2
GARL4030PY2	400	300	480	GERL4030PY2
GARL4530PY2	450	300	530	GERL4530PY2
GARL6030PY2	600	300	680	GERL6030PY2
GARL6045PY2	600	450	530	GERL6045PY2
GARL7560PY2	750	600	530	GERL7560PY2
GARL9075PY2	900	750	530	GERL9075PY2
GARL1060PY2	1000	630	780	GERL1060PY2
GARL1075PY2	1000	750	630	GERL1075PY2
GARL3015PY1	300	150	530	GERL3015PY1
GARL4015PY1	400	150	630	GERL4015PY1
GARL4030PY1	400	300	480	GERL4030PY1
GARL4530PY1	450	300	530	GERL4530PY1
GARL6030PY1	600	300	680	GERL6030PY1
GARL6045PY1	600	450	530	GERL6045PY1
GARL7560PY1	750	600	530	GERL7560PY1
GARL9075PY1	900	750	530	GERL9075PY1
GARL1060PY1	1000	630	780	GERL1060PY1
GARL1075PY1	1000	750	630	GERL1075PY1
GARL4015PY1C	400	150	630	GERL4015PY1C
GARL4030PY1C	400	300	480	GERL4030PY1C
GARL4530PY1C	450	300	530	GERL4530PY1C
GARL6030PY1C	600	300	680	GERL6030PY1C
GARL6045PY1C	600	450	530	GERL6045PY1C
GARL7560PY1C	750	600	530	GERL7560PY1C
GARL9075PY1C	900	750	530	GERL9075PY1C
GARL1060PY1C	1000	630	780	GERL1060PY1C
GARL1075PY1C	1000	750	630	GERL1075PY1C

Reducers



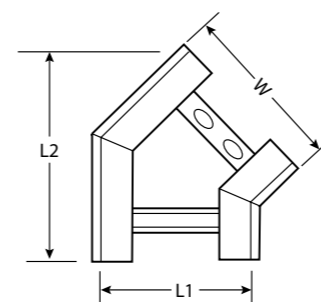
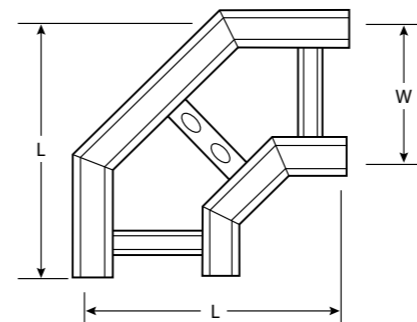
Reducer R/Hand				
Ref	W1 (mm)	W2 (mm)	L (mm)	Cover Ref
GARR3015PY2	300	150	530	GERR3015PY2
GARR4015PY2	400	150	630	GERR4015PY2
GARR4030PY2	400	300	480	GERR4030PY2
GARR4530PY2	450	300	530	GERR4530PY2
GARR6030PY2	600	300	680	GERR6030PY2
GARR6045PY2	600	450	530	GERR6045PY2
GARR7560PY2	750	600	530	GERR7560PY2
GARR9075PY2	900	750	530	GERR9075PY2
GARR1060PY2	1000	600	780	GERR1060PY2
GARR1075PY2	1000	750	630	GERR1075PY2
GARR3015PY1	300	150	530	GERR3015PY1
GARR4015PY1	400	150	630	GERR4015PY1
GARR4030PY1	400	300	480	GERR4030PY1
GARR4530PY1	450	300	530	GERR4530PY1
GARR6030PY1	600	300	680	GERR6030PY1
GARR6045PY1	600	450	530	GERR6045PY1
GARR7560PY1	750	600	530	GERR7560PY1
GARR9075PY1	900	750	530	GERR9075PY1
GARR1060PY1	1000	600	780	GERR1060PY1
GARR1075PY1	1000	750	630	GERR1075PY1
GARR3015PY1C	300	150	530	GERR3015PY1C
GARR4015PY1C	400	150	630	GERR4015PY1C
GARR4030PY1C	400	300	480	GERR4030PY1C
GARR4530PY1C	450	300	530	GERR4530PY1C
GARR6030PY1C	600	300	680	GERR6030PY1C
GARR6045PY1C	600	450	530	GERR6045PY1C
GARR7560PY1C	750	600	530	GERR7560PY1C
GARR9075PY1C	900	750	530	GERR9075PY1C
GARR1060PY1C	1000	600	780	GERR1060PY1C
GARR1075PY1C	1000	750	630	GERR1075PY1C

Bends



90° Flat Bend			
Ref	W1 (mm)	L (mm)	Cover Ref
GAA150PY2	150	525	GEA150PY2
GAA200PY2	200	575	GEA200PY2
GAA300PY2	300	675	GEA300PY2
GAA400PY2	400	775	GEA400PY2
GAA450PY2	450	825	GEA450PY2
GAA600PY2	600	975	GEA600PY2
GAA750PY2	750	1125	GEA750PY2
GAA900PY2	900	1275	GEA900PY2
GAA1000PY2	1000	1375	GEA1000PY2
GAA150PY1	150	525	GEA150PY1
GAA200PY1	200	575	GEA200PY1
GAA300PY1	300	675	GEA300PY1
GAA400PY1	400	775	GEA400PY1
GAA450PY1	450	825	GEA450PY1
GAA600PY1	600	975	GEA600PY1
GAA750PY1	750	1125	GEA750PY1
GAA900PY1	900	1275	GEA900PY1
GAA1000PY1	1000	1375	GEA1000PY1

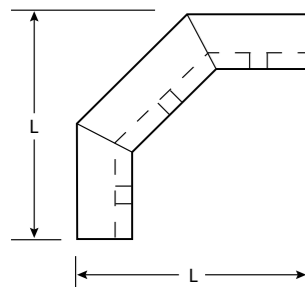
Bends



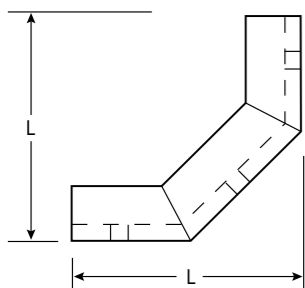
90° Flat Bend			
Ref	W1 (mm)	L (mm)	Cover Ref
GAA150PY1C	150	525	GEA150PY1C
GAA200PY1C	200	575	GEA200PY1C
GAA300PY1C	300	675	GEA300PY1C
GAA400PY1C	400	775	GEA400PY1C
GAA450PY1C	450	825	GEA450PY1C
GAA600PY1C	600	975	GEA600PY1C
GAA750PY1C	750	1125	GEA750PY1C
GAA900PY1C	900	1275	GEA900PY1C
GAA1000PY1C	1000	1375	GEA1000PY1C

45° Flat Bend				
Ref	W (mm)	L1 (mm)	L2 (mm)	Cover Ref
GAA1545PY2	150	292	437	GEA1545PY2
GAA2045PY2	200	343	472	GEA2045PY2
GAA3045PY2	300	442	543	GEA3045PY2
GAA4045PY2	400	542	614	GEA4045PY2
GAA4545PY2	450	592	649	GEA4545PY2
GAA6045PY2	600	742	755	GEA6045PY2
GAA7545PY2	750	892	861	GEA7545PY2
GAA9045PY2	900	1042	968	GEA9045PY2
GAA1045PY2	1000	1142	1038	GEA1045PY2
GAA1545PY1	150	292	437	GEA1545PY1
GAA2045PY1	200	343	472	GEA2045PY1
GAA3045PY1	300	442	543	GEA3045PY1
GAA4045PY1	400	542	614	GEA4045PY1
GAA4545PY1	450	592	649	GEA4545PY1
GAA6045PY1	600	742	755	GEA6045PY1
GAA7545PY1	750	892	861	GEA7545PY1
GAA9045PY1	900	1042	968	GEA9045PY1
GAA1045PY1	1000	1142	1038	GEA1045PY1
GAA1545PY1C	150	292	437	GEA1545PY1C
GAA2045PY1C	200	343	472	GEA2045PY1C
GAA3045PY1C	300	442	543	GEA3045PY1C
GAA4045PY1C	400	542	614	GEA4045PY1C
GAA4545PY1C	450	592	649	GEA4545PY1C
GAA6045PY1C	600	742	755	GEA6045PY1C
GAA7545PY1C	750	892	861	GEA7545PY1C
GAA9045PY1C	900	1042	968	GEA9045PY1C
GAA1045PY1C	1000	1142	1038	GEA1045PY1C

Risers

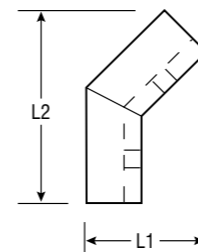


External 90° Riser			
Ref	W (mm)	L (mm)	Cover Ref
GAE150PY2	150	517	GEE150PY2
GAE200PY2	200	517	GEE200PY2
GAE300PY2	300	517	GEE300PY2
GAE400PY2	400	517	GEE400PY2
GAE450PY2	450	517	GEE450PY2
GAE600PY2	600	517	GEE600PY2
GAE750PY2	750	517	GEE750PY2
GAE900PY2	900	517	GEE900PY2
GAE1000PY2	1000	517	GEE1000PY2
GAE150PY1	150	517	GEE150PY1
GAE200PY1	200	517	GEE200PY1
GAE300PY1	300	517	GEE300PY1
GAE400PY1	400	517	GEE400PY1
GAE450PY1	450	517	GEE450PY1
GAE600PY1	600	517	GEE600PY1
GAE750PY1	750	517	GEE750PY1
GAE900PY1	900	517	GEE900PY1
GAE1000PY1	1000	517	GEE1000PY1
GAE150PY1C	150	517	GEE150PY1C
GAE200PY1C	200	517	GEE200PY1C
GAE300PY1C	300	517	GEE300PY1C
GAE400PY1C	400	517	GEE400PY1C
GAE450PY1C	450	517	GEE450PY1C
GAE600PY1C	600	517	GEE600PY1C
GAE750PY1C	750	517	GEE750PY1C
GAE900PY1C	900	517	GEE900PY1C
GAE1000PY1C	1000	517	GEE1000PY1C

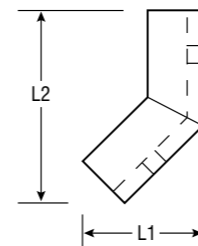


Internal 90° Riser			
Ref	W (mm)	L (mm)	Cover Ref
GAI150PY2	150	517	GEI150PY2
GAI200PY2	200	517	GEI200PY2
GAI300PY2	300	517	GEI300PY2
GAI400PY2	400	517	GEI400PY2
GAI450PY2	450	517	GEI450PY2
GAI600PY2	600	517	GEI600PY2
GAI750PY2	750	517	GEI750PY2
GAI900PY2	900	517	GEI900PY2
GAI1000PY2	1000	517	GEI1000PY2
GAI150PY1	150	517	GEI150PY1
GAI200PY1	200	517	GEI200PY1
GAI300PY1	300	517	GEI300PY1
GAI400PY1	400	517	GEI400PY1
GAI450PY1	450	517	GEI450PY1
GAI600PY1	600	517	GEI600PY1
GAI750PY1	750	517	GEI750PY1
GAI900PY1	900	517	GEI900PY1
GAI1000PY1	1000	517	GEI1000PY1
GAI150PY1C	150	517	GEI150PY1C
GAI200PY1C	200	517	GEI200PY1C
GAI300PY1C	300	517	GEI300PY1C
GAI400PY1C	400	517	GEI400PY1C
GAI450PY1C	450	517	GEI450PY1C
GAI600PY1C	600	517	GEI600PY1C
GAI750PY1C	750	517	GEI750PY1C
GAI900PY1C	900	517	GEI900PY1C
GAI1000PY1C	1000	517	GEI1000PY1C

Risers

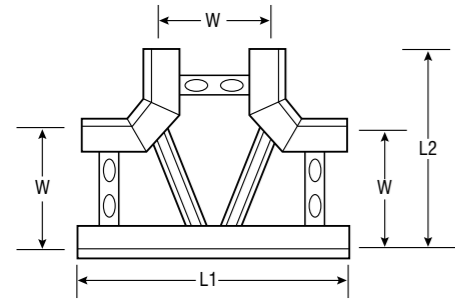


External 45° Riser				
Ref	W1 (mm)	L1 (mm)	L2 (mm)	Cover Ref
GAE1545PY2	150	284	430	GEE1545PY2
GAE2045PY2	200	284	430	GEE2045PY2
GAE3045PY2	300	284	430	GEE3045PY2
GAE4045PY2	400	284	430	GEE4045PY2
GAE4545PY2	450	284	430	GEE4545PY2
GAE6045PY2	600	284	430	GEE6045PY2
GAE7545PY2	750	284	430	GEE7545PY2
GAE9045PY2	900	284	430	GEE9045PY2
GAE1045PY2	1000	284	430	GEE1045PY2
GAE1545PY1	150	284	430	GEE1545PY1
GAE2045PY1	200	284	430	GEE2045PY1
GAE3045PY1	300	284	430	GEE3045PY1
GAE4045PY1	400	284	430	GEE4045PY1
GAE4545PY1	450	284	430	GEE4545PY1
GAE6045PY1	600	284	430	GEE6045PY1
GAE7545PY1	750	284	430	GEE7545PY1
GAE9045PY1	900	284	430	GEE9045PY1
GAE1045PY1	1000	284	430	GEE1045PY1
GAE1545PY1C	150	284	430	GEE1545PY1C
GAE2045PY1C	200	284	430	GEE2045PY1C
GAE3045PY1C	300	284	430	GEE3045PY1C
GAE4045PY1C	400	284	430	GEE4045PY1C
GAE4545PY1C	450	284	430	GEE4545PY1C
GAE6045PY1C	600	284	430	GEE6045PY1C
GAE7545PY1C	750	284	430	GEE7545PY1C
GAE9045PY1C	900	284	430	GEE9045PY1C
GAE1045PY1C	1000	284	430	GEE1045PY1C



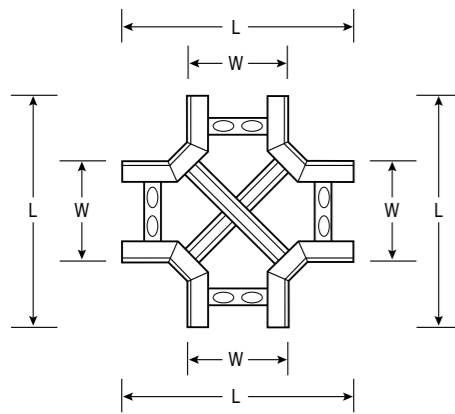
Internal 45° Riser				
Ref	W1 (mm)	L1 (mm)	L2 (mm)	Cover Ref
GAI1545PY2	150	284	430	GEI1545PY2
GAI2045PY2	200	284	430	GEI2045PY2
GAI3045PY2	300	284	430	GEI3045PY2
GAI4045PY2	400	284	430	GEI4045PY2
GAI4545PY2	450	284	430	GEI4545PY2
GAI6045PY2	600	284	430	GEI6045PY2
GAI7545PY2	750	284	430	GEI7545PY2
GAI9045PY2	900	284	430	GEI9045PY2
GAI1045PY2	1000	284	430	GEI1045PY2
GAI1545PY1	150	284	430	GEI1545PY1
GAI2045PY1	200	284	430	GEI2045PY1
GAI3045PY1	300	284	430	GEI3045PY1
GAI4045PY1	400	284	430	GEI4045PY1
GAI4545PY1	450	284	430	GEI4545PY1
GAI6045PY1	600	284	430	GEI6045PY1
GAI7545PY1	750	284	430	GEI7545PY1
GAI9045PY1	900	284	430	GEI9045PY1
GAI1045PY1	1000	284	430	GEI1045PY1
GAI1545PY1C	150	284	430	GEI1545PY1C
GAI2045PY1C	200	284	430	GEI2045PY1C
GAI3045PY1C	300	284	430	GEI3045PY1C
GAI4045PY1C	400	284	430	GEI4045PY1C
GAI4545PY1C	450	284	430	GEI4545PY1C
GAI6045PY1C	600	284	430	GEI6045PY1C
GAI7545PY1C	750	284	430	GEI7545PY1C
GAI9045PY1C	900	284	430	GEI9045PY1C
GAI1045PY1C	1000	284	430	GEI1045PY1C

Tees & Crossovers



rung configuration will change with width

Equal Tee				
Ref	W (mm)	L1 (mm)	L2 (mm)	Cover Ref
GAT150PY2	150	892	525	GET150PY2
GAT200PY2	200	942	575	GET200PY2
GAT300PY2	300	1042	675	GET300PY2
GAT400PY2	400	1142	775	GET400PY2
GAT450PY2	450	1192	825	GET450PY2
GAT600PY2	600	1342	975	GET600PY2
GAT750PY2	750	1492	1125	GET750PY2
GAT900PY2	900	1642	1275	GET900PY2
GAT1000PY2	1000	1742	1375	GET1000PY1C
GAT150PY1	150	892	525	GET150PY1
GAT200PY1	200	942	575	GET200PY1
GAT300PY1	300	1042	675	GET300PY1
GAT400PY1	400	1142	775	GET400PY1
GAT450PY1	450	1192	825	GET450PY1
GAT600PY1	600	1342	975	GET600PY1
GAT750PY1	750	1492	1125	GET750PY1
GAT900PY1	900	1642	1275	GET900PY1
GAT1000PY1	1000	1742	1375	GET1000PY1
GAT150PY1C	150	892	525	GET150PY1C
GAT200PY1C	200	942	575	GET200PY1C
GAT300PY1C	300	1042	675	GET300PY1C
GAT400PY1C	400	1142	775	GET400PY1C
GAT450PY1C	450	1192	825	GET450PY1C
GAT600PY1C	600	1342	975	GET600PY1C
GAT750PY1C	750	1492	1125	GET750PY1C
GAT900PY1C	900	1642	1275	GET900PY1C
GAT1000PY1C	1000	1742	1375	GET1000PY1C



rung configuration will change with width

Equal Cross			
Ref	W (mm)	L (mm)	Cover Ref
GAX150PY2	150	892	GEX150PY2
GAX200PY2	200	942	GEX200PY2
GAX300PY2	300	1042	GEX300PY2
GAX400PY2	400	1142	GEX400PY2
GAX450PY2	450	1192	GEX450PY2
GAX600PY2	600	1342	GEX600PY2
GAX750PY2	750	1492	GEX750PY2
GAX900PY2	900	1642	GEX900PY2
GAX1000PY2	1000	1742	GEX1000PY2
GAX150PY1	150	892	GEX150PY1
GAX200PY1	200	942	GEX200PY1
GAX300PY1	300	1042	GEX300PY1
GAX400PY1	400	1142	GEX400PY1
GAX450PY1	450	1192	GEX450PY1
GAX600PY1	600	1342	GEX600PY1
GAX750PY1	750	1492	GEX750PY1
GAX900PY1	900	1642	GEX900PY1
GAX1000PY1	1000	1742	GEX1000PY1
GAX150PY1C	150	892	GEX150PY1C
GAX200PY1C	200	942	GEX200PY1C
GAX300PY1C	300	1042	GEX300PY1C
GAX400PY1C	400	1142	GEX400PY1C
GAX450PY1C	450	1192	GEX450PY1C
GAX600PY1C	600	1342	GEX600PY1C
GAX750PY1C	750	1492	GEX750PY1C
GAX900PY1C	900	1642	GEX900PY1C
GAX1000PY1C	1000	1742	GEX1000PY1C

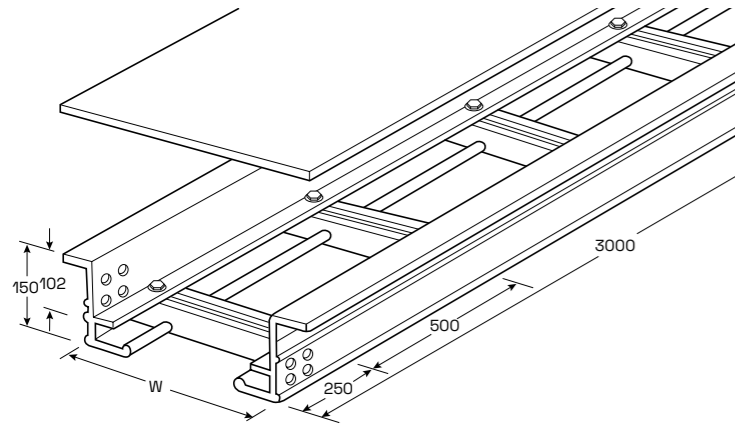
Tees & Crossovers

End Caps	
Ref	Ladder Width (mm)
ENDGAL150PY2	150
ENDGAL200PY2	200
ENDGAL300PY2	300
ENDGAL400PY2	400
ENDGAL450PY2	450
ENDGAL600PY2	600
ENDGAL750PY2	750
ENDGAL900PY2	900
ENDGAL1000PY2	1000
ENDGAL150PY1	150
ENDGAL200PY1	200
ENDGAL300PY1	300
ENDGAL400PY1	400
ENDGAL450PY1	450
ENDGAL600PY1	600
ENDGAL750PY1	750
ENDGAL900PY1	900
ENDGAL1000PY1	1000
ENDGAL150PY1C	150
ENDGAL200PY1C	200
ENDGAL300PY1C	300
ENDGAL400PY1C	400
ENDGAL450PY1C	450
ENDGAL600PY1C	600
ENDGAL750PY1C	750
ENDGAL900PY1C	900
ENDGAL1000PY1C	1000

GXL Series GRP ladder

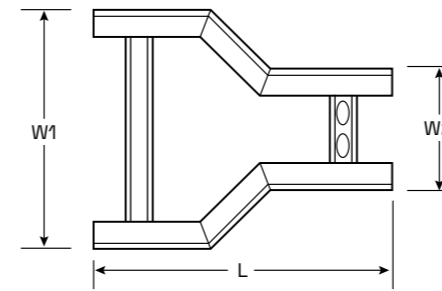
Selection & Ordering		
GXL Series GRP Ladder	Standard Product	Alternative Options
		Please specify any alternative options required, on enquiry
	Please contact us for details of any minimum manufacturing quantities, lead times and price premiums which may apply	
Material	Polyester Resin Type 1 (PY1, MX)	
Depth	150mm	
Length	3000mm	6000mm
Width	150-1000mm	Sizes as required
Covers	Secured with Stainless Steel bolts (8xMSS8)	
Coupler Hole Diameter	M8 clearance	-
Rung Spacing	500mm	250, 300mm
Rung Configuration	Rungs alternate face up / face down	As required
Construction of Fittings	316 stainless steel bolts and assembly plates	UV resistant, non-metallic hardware and GRP assembly plates
Radius of Bends	300mm	600mm, 900mm or 1500mm
Angle of Bends	45° or 90°	30° or 60°
Associated Products and Additional Information References		
Couplers & Accessories Selection Table	26-27	
Fasteners	66	
FIBSTRUT™ GRP Support Channel	56	
Technical Section	Separate technical guide is available on request	
FIBARACK™*	* Patent Protected No. 0873477	

Ladder

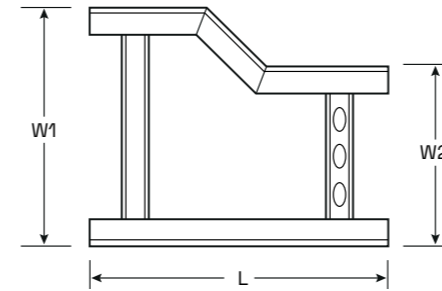


GXL Ladder					
Ref	W (mm)	D (mm)	L (mm)	Cover Ref	
GXL150PY1	150	150	3000	GZL150PY1	
GXL200PY1	200	150	3000	GZL200PY1	
GXL300PY1	300	150	3000	GZL300PY1	
GXL400PY1	400	150	3000	GZL400PY1	
GXL450PY1	450	150	3000	GZL450PY1	
GXL600PY1	600	150	3000	GZL600PY1	
GXL750PY1	750	150	3000	GZL750PY1	
GXL900PY1	900	150	3000	GZL900PY1	
GXL1000PY1	1000	150	3000	GZL1000PY1	
GXL150MX	150	150	3000	GZL150MX	
GXL200MX	200	150	3000	GZL200MX	
GXL300MX	300	150	3000	GZL300MX	
GXL400MX	400	150	3000	GZL400MX	
GXL450MX	450	150	3000	GZL450MX	
GXL600MX	600	150	3000	GZL600MX	
GXL750MX	750	150	3000	GZL750MX	
GXL900MX	900	150	3000	GZL900MX	
GXL1000MX	1000	150	3000	GZL1000MX	

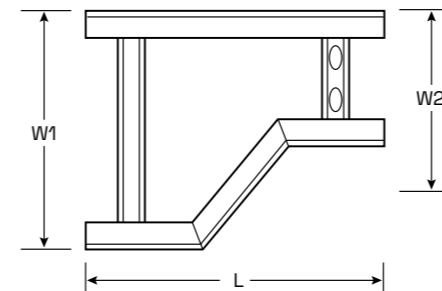
Reducers



Reducer Straight				
Ref	W1 (mm)	W2 (mm)	L (mm)	Cover Ref
GXR3015PY1	300	150	478	GZR3015PY1
GXR4015PY1	400	150	524	GZR4015PY1
GXR4030PY1	400	300	453	GZR4030PY1
GXR4530PY1	450	300	478	GZR4530PY1
GXR6030PY1	600	300	553	GZR6030PY1
GXR6045PY1	600	450	478	GZR6045PY1
GXR7560PY1	750	600	478	GZR7560PY1
GXR9075PY1	900	750	478	GZR9075PY1
GXR1075PY1	1000	750	524	GZR1075PY1
GXR3015MX	300	150	478	GZR3015MX
GXR4015MX	400	150	524	GZR4015MX
GXR4030MX	400	300	453	GZR4030MX
GXR4530MX	450	300	478	GZR4530MX
GXR6030MX	600	300	553	GZR6030MX
GXR6045MX	600	450	478	GZR6045MX
GXR7560MX	750	600	478	GZR7560MX
GXR9075MX	900	750	478	GZR9075MX
GXR1075MX	1000	750	524	GZR1075MX

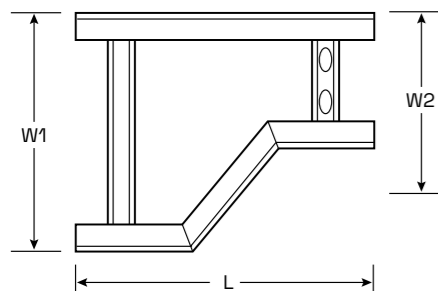


Reducer L/Hand				
Ref	W1 (mm)	W2 (mm)	L (mm)	Cover Ref
GXRL3015PY1	300	150	553	GZRL3015PY1
GXRL4015PY1	400	150	653	GZRL4015PY1
GXRL4030PY1	400	300	503	GZRL4030PY1
GXRL4530PY1	450	300	553	GZRL4530PY1
GXRL6030PY1	600	300	703	GZRL6030PY1
GXRL6045PY1	600	450	553	GZRL6045PY1
GXRL7560PY1	750	600	553	GZRL7560PY1
GXRL9075PY1	900	750	553	GZRL9075PY1
GXRL1075PY1	1000	750	653	GZRL1075PY1
GXRL3015MX	300	150	553	GZRL3015MX
GXRL4015MX	400	150	653	GZRL4015MX
GXRL4030MX	400	300	503	GZRL4030MX
GXRL4530MX	450	300	553	GZRL4530MX
GXRL6030MX	600	300	703	GZRL6030MX
GXRL6045MX	600	450	553	GZRL6045MX
GXRL7560MX	750	600	553	GZRL7560MX
GXRL9075MX	900	750	553	GZRL9075MX
GXRL1075MX	1000	750	653	GZRL1075MX



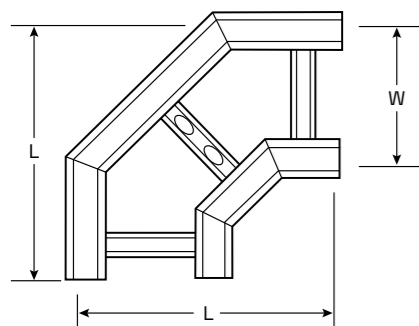
Reducer R/Hand				
Ref	W1 (mm)	W2 (mm)	L (mm)	Cover Ref
GXRR3015PY1	300	150	553	GZRR3015PY1
GXRR4015PY1	400	150	653	GZRR4015PY1
GXRR4030PY1	400	300	503	GZRR4030PY1
GXRR4530PY1	450	300	553	GZRR4530PY1
GXRR6030PY1	600	300	703	GZRR6030PY1
GXRR6045PY1	600	450	553	GZRR6045PY1
GXRR7560PY1	750	600	553	GZRR7560PY1
GXRR9075PY1	900	750	553	GZRR9075PY1
GXRR1075PY1	1000	750	653	GZRR1075PY1

Reducer

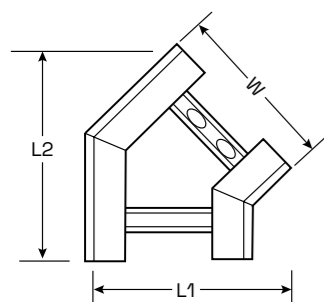


Reducer R/Hand				
Ref	W1 (mm)	W2 (mm)	L (mm)	Cover Ref
GXRR3015MX	300	150	553	GZRR3015MX
GXRR4015MX	400	150	653	GZRR4015MX
GXRR4030MX	400	300	503	GZRR4030MX
GXRR4530MX	450	300	553	GZRR4530MX
GXRR6030MX	600	300	703	GZRR6030MX
GXRR6045MX	600	450	553	GZRR6045MX
GXRR7560MX	750	600	553	GZRR7560MX
GXRR9075MX	900	750	553	GZRR9075MX
GXRR1075MX	1000	750	653	GZRR1075MX

Bends

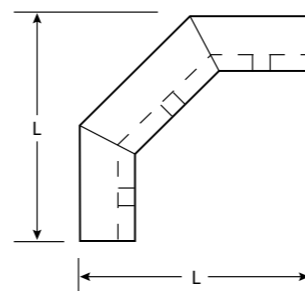


90° Flat Bend			
Ref	W1 (mm)	L (mm)	Cover Ref
GXA150PY1	150	527	GZA150PY1
GXA200PY1	200	577	GZA200PY1
GXA300PY1	300	677	GZA300PY1
GXA400PY1	400	777	GZA400PY1
GXA450PY1	450	827	GZA450PY1
GXA600PY1	600	977	GZA600PY1
GXA750PY1	750	1127	GZA750PY1
GXA900PY1	900	1277	GZA900PY1
GXA1000PY1	1000	1377	GZA1000PY1
GXA150MX	150	527	GZA150MX
GXA200MX	200	577	GZA200MX
GXA300MX	300	677	GZA300MX
GXA400MX	400	777	GZA400MX
GXA450MX	450	827	GZA450MX
GXA600MX	600	977	GZA600MX
GXA750MX	750	1127	GZA750MX
GXA900MX	900	1277	GZA900MX
GXA1000MX	1000	1377	GZA1000MX

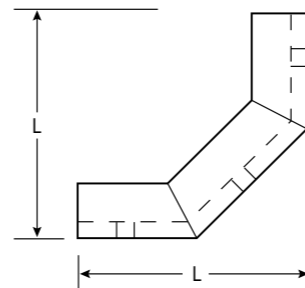


45° Flat Bend				
Ref	W (mm)	L1 (mm)	L2 (mm)	Cover Ref
GXA1545PY1	150	226	437	GZA1545PY1
GXA2045PY1	200	297	472	GZA2045PY1
GXA3045PY1	300	438	543	GZA3045PY1
GXA4045PY1	400	580	614	GZA4045PY1
GXA4545PY1	450	650	649	GZA4545PY1
GXA6045PY1	600	862	755	GZA6045PY1
GXA7545PY1	750	1075	861	GZA7545PY1
GXA9045PY1	900	1287	968	GZA9045PY1
GXA1045PY1	1000	1428	1038	GZA1045PY1
GXA1545MX	150	226	437	GZA1545MX
GXA2045MX	200	297	472	GZA2045MX
GXA3045MX	300	438	543	GZA3045MX
GXA4045MX	400	580	614	GZA4045MX
GXA4545MX	450	650	649	GZA4545MX
GXA6045MX	600	862	755	GZA6045MX
GXA7545MX	750	1075	861	GZA7545MX
GXA9045MX	900	1287	968	GZA9045MX
GXA1045MX	1000	1428	1038	GZA1045MX

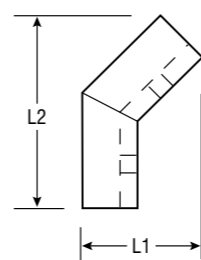
Risers



External 90° Riser			
Ref	W (mm)	L (mm)	Cover Ref
GXE150PY1	150	517	GZE150PY1
GXE200PY1	200	517	GZE200PY1
GXE300PY1	300	517	GZE300PY1
GXE400PY1	400	517	GZE400PY1
GXE450PY1	450	517	GZE450PY1
GXE600PY1	600	517	GZE600PY1
GXE750PY1	750	517	GZE750PY1
GXE900PY1	900	517	GZE900PY1
GXE1000PY1	1000	517	GZE1000PY1
GXE150MX	150	517	GZE150MX
GXE200MX	200	517	GZE200MX
GXE300MX	300	517	GZE300MX
GXE400MX	400	517	GZE400MX
GXE450MX	450	517	GZE450MX
GXE600MX	600	517	GZE600MX
GXE750MX	750	517	GZE750MX
GXE900MX	900	517	GZE900MX
GXE1000MX	1000	517	GZE1000MX

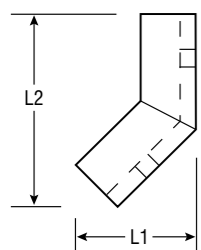
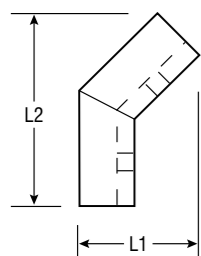


Internal 90° Riser			
Ref	W (mm)	L (mm)	Cover Ref
GXI150PY1	150	517	GZI150PY1
GXI200PY1	200	517	GZI200PY1
GXI300PY1	300	517	GZI300PY1
GXI400PY1	400	517	GZI400PY1
GXI450PY1	450	517	GZI450PY1
GXI600PY1	600	517	GZI600PY1
GXI750PY1	750	517	GZI750PY1
GXI900PY1	900	517	GZI900PY1
GXI1000PY1	1000	517	GZI1000PY1
GXI150MX	150	517	GZI150MX
GXI200MX	200	517	GZI200MX
GXI300MX	300	517	GZI300MX
GXI400MX	400	517	GZI400MX
GXI450MX	450	517	GZI450MX
GXI600MX	600	517	GZI600MX
GXI750MX	750	517	GZI750MX
GXI900MX	900	517	GZI900MX
GXI1000MX	1000	517	GZI1000MX



External 45° Riser				
Ref	W1 (mm)	L1 (mm)	L2 (mm)	Cover Ref
GXE1545PY1	150	284	430	GZE1545PY1
GXE2045PY1	200	284	430	GZE2045PY1
GXE3045PY1	300	284	430	GZE3045PY1
GXE4045PY1	400	284	430	GZE4045PY1
GXE4545PY1	450	284	430	GZE4545PY1
GXE6045PY1	600	284	430	GZE6045PY1
GXE7545PY1	750	284	430	GZE7545PY1
GXE9045PY1	900	284	430	GZE9045PY1
GXE1045PY1	1000	284	430	GZE1045PY1

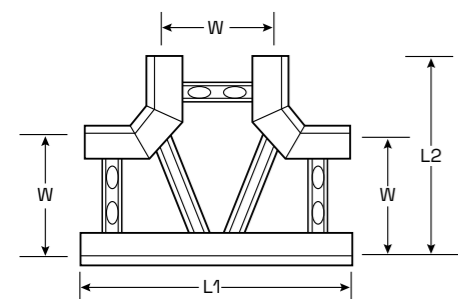
Risers



External 45° Riser				
Ref	W1 (mm)	L1 (mm)	L2 (mm)	Cover Ref
GXE1545MX	150	284	430	GZE1545MX
GXE2045MX	200	284	430	GZE2045MX
GXE3045MX	300	284	430	GZE3045MX
GXE4045MX	400	284	430	GZE4045MX
GXE4545MX	450	284	430	GZE4545MX
GXE6045MX	600	284	430	GZE6045MX
GXE7545MX	750	284	430	GZE7545MX
GXE9045MX	900	284	430	GZE9045MX
GXE1045MX	1000	284	430	GZE1045MX

Internal 45° Riser				
Ref	W1 (mm)	L1 (mm)	L2 (mm)	Cover Ref
GXI1545PY1	150	284	430	GZI1545PY1
GXI2045PY1	200	284	430	GZI2045PY1
GXI3045PY1	300	284	430	GZI3045PY1
GXI4045PY1	400	284	430	GZI4045PY1
GXI4545PY1	450	284	430	GZI4545PY1
GXI6045PY1	600	284	430	GZI6045PY1
GXI7545PY1	750	284	430	GZI7545PY1
GXI9045PY1	900	284	430	GZI9045PY1
GXI1045PY1	1000	284	430	GZI1045PY1
GXI1545MX	150	284	430	GZI1545MX
GXI2045MX	200	284	430	GZI2045MX
GXI3045MX	300	284	430	GZI3045MX
GXI4045MX	400	284	430	GZI4045MX
GXI4545MX	450	284	430	GZI4545MX
GXI6045MX	600	284	430	GZI6045MX
GXI7545MX	750	284	430	GZI7545MX
GXI9045MX	900	284	430	GZI9045MX
GXI1045MX	1000	284	430	GZI1045MX

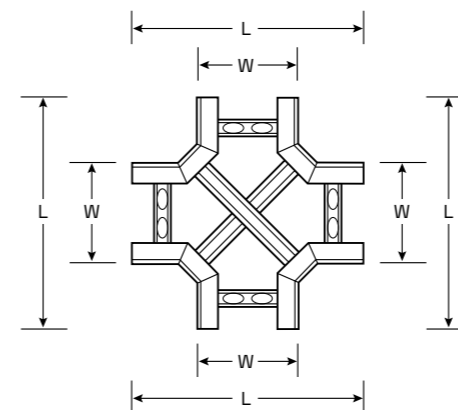
Tees & Crossovers



rung configuration will change with width

Equal Tee				
Ref	W (mm)	L1 (mm)	L2 (mm)	Cover Ref
GXT150PY1	150	894	527	GZT150PY1
GXT200PY1	200	944	577	GZT200PY1
GXT300PY1	300	1044	677	GZT300PY1
GXT400PY1	400	1144	777	GZT400PY1
GXT450PY1	450	1194	827	GZT450PY1
GXT600PY1	600	1344	977	GZT600PY1
GXT750PY1	750	1494	1127	GZT750PY1
GXT900PY1	900	1644	1277	GZT900PY1
GXT1000PY1	1000	1744	1377	GZT1000PY1
GXT150MX	150	894	527	GZT150MX
GXT200MX	200	944	577	GZT200MX
GXT300MX	300	1044	677	GZT300MX
GXT400MX	400	1144	777	GZT400MX
GXT450MX	450	1194	827	GZT450MX
GXT600MX	600	1344	977	GZT600MX
GXT750MX	750	1494	1127	GZT750MX
GXT900MX	900	1644	1277	GZT900MX
GXT1000MX	1000	1744	1377	GZT1000MX

Tees & Crossovers



rung configuration will change with width

Equal Cross				
Ref	W (mm)	L (mm)	Cover Ref	Cover Ref
GXX150PY1	150	894	GZX150PY1	GZT150PY1
GXX200PY1	200	944	GZX200PY1	GZT200PY1
GXX300PY1	300	1044	GZX300PY1	GZT300PY1
GXX400PY1	400	1144	GZX400PY1	GZT400PY1
GXX450PY1	450	1194	GZX450PY1	GZT450PY1
GXX600PY1	600	1344	GZX600PY1	GZT600PY1
GXX750PY1	750	1494	GZX750PY1	GZT750PY1
GXX900PY1	900	1644	GZX900PY1	GZT900PY1
GXX1000PY1	1000	1744	GZX1000PY1	GZT1000PY1
GXX150MX	150	894	GZX150MX	GZT150MX
GXX200MX	200	944	GZX200MX	GZT200MX
GXX300MX	300	1044	GZX300MX	GZT300MX
GXX400MX	400	1144	GZX400MX	GZT400MX
GXX450MX	450	1194	GZX450MX	GZT450MX
GXX600MX	600	1344	GZX600MX	GZT600MX
GXX750MX	750	1494	GZX750MX	GZT750MX
GXX900MX	900	1644	GZX900MX	GZT900MX
GXX1000MX	1000	1744	GZX1000MX	GZT1000MX

End Caps	
Ref	Ladder Width (mm)
ENDGXL150PY1	150
ENDGXL200PY1	200
ENDGXL300PY1	300
ENDGXL400PY1	400
ENDGXL450PY1	450
ENDGXL600PY1	600
ENDGXL750PY1	750
ENDGXL900PY1	900
ENDGXL1000PY1	1000
ENDGXL150MX	150
ENDGXL200MX	200
ENDGXL300MX	300
ENDGXL400MX	400
ENDGXL450MX	450
ENDGXL600MX	600
ENDGXL750MX	750
ENDGXL900MX	900
ENDGXL1000MX	1000

GRP Ladders






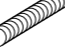
GRP Ladder - Coupler Table

	Material	Profile GXL, GAL and GMLN
 <p>Straight Coupler</p>	SS SS GRP	GHCS (for GXL and GAL) GMCST (for GMLN) GMCGPY2 (for GMLN)
 <p>Vertical Hinged Coupler Max Ext Angle = 45° Max Int Angle = 90°</p>	SS SS	GVHCS (for GXL and GAL) GMVHCS (for GMLN)
 <p>Variable Angle Coupler</p>	SS SS	GHHCS (for GXL and GAL) GMHHCS (for GMLN)
 <p>Ladder Clamp Use M10 size fastener</p>	SS	GHDCS
 <p>Fixed Support</p>	GRP	GFES
 <p>Hinged End Fixing</p>	GRP	GHEF

Drawings are for illustration purposes only and may vary depending on the profile selected.
Hole diameter on all items is M8 clearance with the exception of GHDC which has M10 clearance.
SS = Stainless Steel
GRP = Glass Reinforced Plastic

Fastener Selection Chart

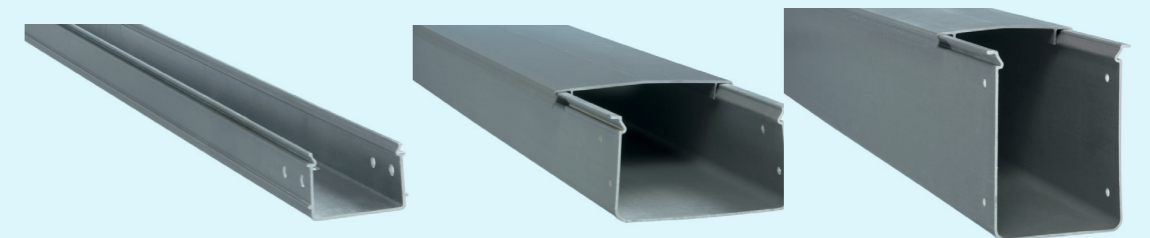
SS316 Ladder Systems

	Material	Length mm	Thread Size & Reference Numbers		Remarks
			M8	M10	
 <p>Hexagonal Nut</p>	SS316		MSS8N	MSS10N	For all applications
 <p>Round Washer</p>	SS316		W8SS	W10SS	
 <p>Crinkle Washer</p>	SS316		SCW8S	SCW10S	For higher security applications
 <p>Hexagonal Bolt</p>	SS316	20	MSS8B		
 <p>Pan Head Bolts</p>	SS316	20	MSS820BP		
 <p>Screwed Rod</p>	SS316	3m		SSR10300	In Stainless Steel for heavy duty

GRP Cable Trays and Troughing



- CABSYS® GRP Cable Tray 44
- Solid Base 44
- Slotted Base 44
- Coupler.....45
- Divider.....46
- Reducers46
- Bends.....45
- Risers 49
- Tees 53
- GRP GMAX® Rail Solution (New) 54
- GRP Cable Containment Rail Solution 58
- GRP Trough Reducers..... 63
- GRP Fixings..... 64
- Cleats..... 65



As a comprehensive manufacturer of corrosion resistant industrial cable support products, Wibe Group have the solutions and expertise to specify a suitable solution, and deliver a product which can support any type of power circuit, cable, data and instrumentation.

Wherever you are situated and whatever you need, we are committed to meeting your requirements.

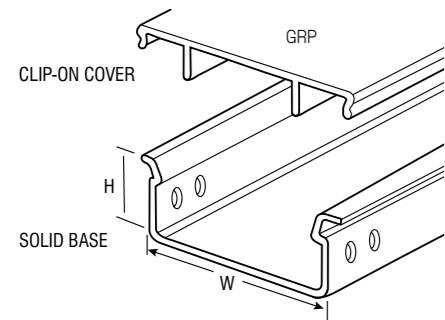
Selection & Ordering

GH L Series GRP Ladder	Standard Product	Alternative Options
		Please specify any alternative options required, on enquiry
	Please contact us for details of any minimum manufacturing quantities, lead times and price premiums which may apply	
Material	Resin (PY2, PY1, MX, PY1C)	Other resins available on request
Depth	50mm, 100mm, 110mm, 210mm (please check width options)	
Length	3000mm	6000mm
Width	50-400mm	
Coupler Hole Diameter	8mm clearance	
Construction	Solid or Slotted Base	
Construction of Fittings	316 stainless steel bolts and assembly plates	Grylon bolts or GRP couplers
Radius of Bends	300mm	600mm, 900mm or 1500mm
Angle of Bends	45° or 90°	30° or 60°

Associated Products and Additional Information References

Associated Products and Additional Information References	Page Number
Couplers & Accessories Selection Table	42-43
Fasteners	66
FIBSTRUT™ GRP Support Channel	56

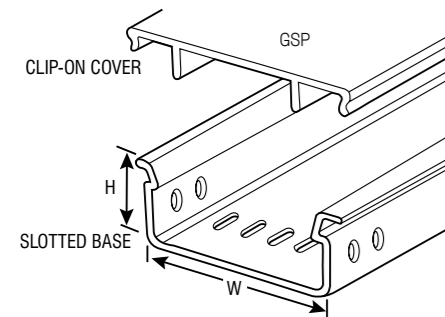
Solid Base



50mm Depth

Width (mm)	Resin Type	Tray Ref Slotted	Tray Ref Solid	Length (mm)	Cover Ref
50	PY2	GSPN505PY2	GRPN505PY2	3 000	GRCN50PY2
75	PY2	GSPN755PY2	GRPN755PY2	3 000	GRCN75PY2
50	PY1	GSPN505PY1	GRPN505PY1	3 000	GRCN50PY1
75	PY1	GSPN755PY1	GRPN755PY1	3 000	GRCN75PY1
50	MX	GSPN505MX	GRPN505MX	3 000	GRCN50MX
75	MX	GSPN755MX	GRPN755MX	3 000	GRCN75MX
50	PY1C	GSPN505PY1C	GRPN505PY1C	3 000	GRCN50PY1C
75	PY1C	GSPN755PY1C	GRPN755PY1C	3 000	GRCN75PY1C

Slotted Base



60mm Depth

Width (mm)	Resin Type	Tray Ref Slotted	Tray Ref Solid	Length (mm)	Cover Ref
100	PY2	GSP1006PY2	GRP1006PY2	3 000	GRC100PY2
150	PY2	GSP1506PY2	GRP1506PY2	3 000	GRC150PY2
200	PY2	GSP2006PY2	GRP2006PY2	3 000	GRC200PY2
300	PY2	GSP3006PY2	GRP3006PY2	3 000	GRC300PY2
100	PY1	GSP1006PY1	GRP1006PY1	3 000	GRC100PY1
150	PY1	GSP1506PY1	GRP1506PY1	3 000	GRC150PY1
200	PY1	GSP2006PY1	GRP2006PY1	3 000	GRC200PY1
300	PY1	GSP3006PY1	GRP3006PY1	3 000	GRC300PY1
100	MX	GSP1006MX	GRP1006MX	3 000	GRC100MX
150	MX	GSP1506MX	GRP1506MX	3 000	GRC150MX
200	MX	GSP2006MX	GRP2006MX	3 000	GRC200MX
300	MX	GSP3006MX	GRP3006MX	3 000	GRC300MX
100	PY1C	GSP1006PY1C	GRP1006PY1C	3 000	GRC100PY1C
150	PY1C	GSP1506PY1C	GRP1506PY1C	3 000	GRC150PY1C
200	PY1C	GSP2006PY1C	GRP2006PY1C	3 000	GRC200PY1C
300	PY1C	GSP3006PY1C	GRP3006PY1C	3 000	GRC300PY1C

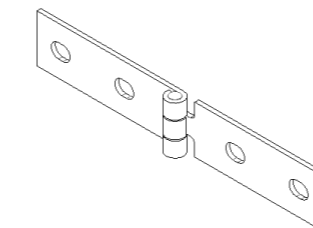
110mm Depth

Width (mm)	Resin Type	Tray Ref Slotted	Tray Ref Solid	Length (mm)	Cover Ref
100	PY2	GSP100110PY2	GRP100110PY2	3000	GRC100PY2
150	PY2	GSP150110PY2	GRP150110PY2	3000	GRC150PY2
200	PY2	GSP200110PY2	GRP200110PY2	3000	GRC200PY2
300	PY2	GSP300110PY2	GRP300110PY2	3000	GRC300PY2
400	PY2	GSP400110PY2	GRP400110PY2	3000	GRC400PY2
100	PY1	GSP100110PY1	GRP100110PY1	3000	GRC100PY1
150	PY1	GSP150110PY1	GRP150110PY1	3000	GRC150PY1
200	PY1	GSP200110PY1	GRP200110PY1	3000	GRC200PY1
300	PY1	GSP300110PY1	GRP300110PY1	3000	GRC300PY1
400	PY1	GSP400110PY1	GRP400110PY1	3000	GRC400PY1
100	MX	GSP100110MX	GRP100110MX	3000	GRC100MX
150	MX	GSP150110MX	GRP150110MX	3000	GRC150MX
200	MX	GSP200110MX	GRP200110MX	3000	GRC200MX
300	MX	GSP300110MX	GRP300110MX	3000	GRC300MX
400	MX	GSP400110MX	GRP400110MX	3000	GRC400MX
100	PY1C	GSP100110PY1C	GRP100110PY1C	3000	GRC100PY1C
150	PY1C	GSP150110PY1C	GRP150110PY1C	3000	GRC150PY1C
200	PY1C	GSP200110PY1C	GRP200110PY1C	3000	GRC200PY1C
300	PY1C	GSP300110PY1C	GRP300110PY1C	3000	GRC300PY1C
400	PY1C	GSP400110PY1C	GRP400110PY1C	3000	GRC400PY1C

210mm Depth

Width (mm)	Resin Type	Tray Ref Solid	Length (mm)	Cover Ref
150	PY2	GRP150210PY2	3000	GRC150PY2
150	PY1	GRP150210PY1	3000	GRC150PY1
150	MX	GRP150210MX	3000	GRC150MX
150	PY1C	GRP150210PY1C	3000	GRC150PY1C

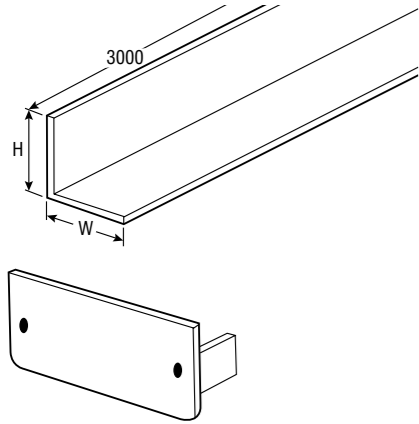
Coupler



Coupler

Ref	Type	Material	H (mm)
GSCC4S	Straight	SS	50,60
GSCC4GPY2	Straight	GRP	50,60
GSCC4GPY1	Straight	GRP	50,60
GSCC4GMX	Straight	GRP	50,60
GSCC4GPY1C	Straight	GRP	50,60
GVHCST	Vertical Hinged	SS	50,60
GHHCS	Horizontal Hinged	SS	50,60
GHCS	Straight	GRP	110
GHCOPY2	Straight	GRP	110
GHCOPY1	Straight	GRP	110
GHCOPMX	Straight	GRP	110
GHCOPY1C	Straight	GRP	110
GVHCS	Vertical Hinged	SS	110
GHHCS	Horizontal Hinged	SS	110
GHCS210PY1	Straight	GRP	210
GHCS210MX	Straight	GRP	210
GHCS210PY1C			

Divider

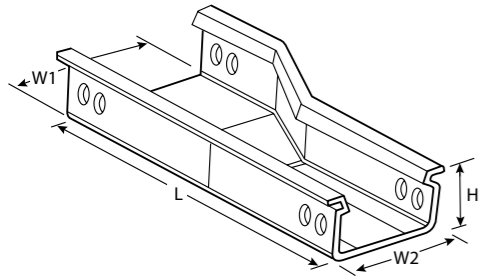


Divider			
Ref	Resin Type	W (mm)	H (mm)
GRD1PY1	PY1	50	50
GRD1MX	MX	50	50
GRD1PY1C	PY1C	50	50
GRD2PY1	PY1	100	50
GRD2MX	MX	100	50
GRD2PY1C	PY1C	100	50

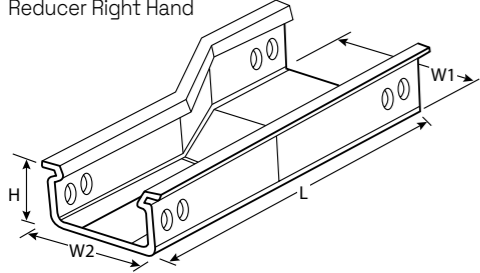
End Stops		
Size	Aboveground	Underground
100x110	END100110PY1	END100110MX
150x110	END150110PY1	END150110MX
150x210	END150210PY1	END150210MX
200x110	END200110PY1	END200110MX
300x110	END300110PY1	END300110MX
400x110	END400110PY1	END400110MX

Reducers

Reducer Left Hand



Reducer Right Hand



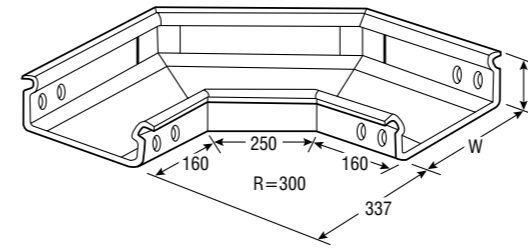
Build the reference code for the reducer you require using the table below

	W1	L/R	W2	Depth
GRD				
GRC				
eg: Fitting				
GR	200L10 60			
	Reduce from L or R		Reduce to	Depth
GR	200	L	100	60
eg: Lid to fit above fitting				
GRC	200L10			

Couplers required for all fittings

Reducers are available, as a standard product, in depths of 60mm. Other sizes available on request, please contact us on 0870 608 8 608.

Bends



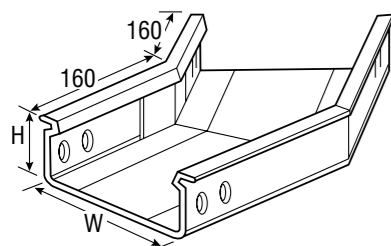
90° Flat Bend 50mm depth		
W (mm)	Tray Type Solid	Cover Ref
50	GRAN505PY2	GRACN50PY2
75	GRAN755PY2	GRACN75PY2
50	GRAN505PY1	GRACN50PY1
75	GRAN755PY1	GRACN75PY1
50	GRAN505MX	GRACN50MX
75	GRAN755MX	GRACN75MX

90° Flat Bend 60mm depth		
W (mm)	Tray Type Solid	Cover Ref
100	GRA1006PY2	GRAC100PY2
150	GRA1506PY2	GRAC150PY2
200	GRA2006PY2	GRAC200PY2
300	GRA3006PY2	GRAC300PY2
100	GRA1006PY1	GRAC100PY1
150	GRA1506PY1	GRAC150PY1
200	GRA2006PY1	GRAC200PY1
300	GRA3006PY1	GRAC300PY1
100	GRA1006MX	GRAC100MX
150	GRA1506MX	GRAC150MX
200	GRA2006MX	GRAC200MX
300	GRA3006MX	GRAC300MX

90° Flat Bend 110mm depth		
W (mm)	Tray Type Solid	Cover Ref
100	GRA100110PY2	GRAC100PY2
150	GRA150110PY2	GRAC150PY2
200	GRA200110PY2	GRAC200PY2
300	GRA300110PY2	GRAC300PY2
400	GRA400110PY2	GRAC400PY2
100	GRA100110PY1	GRAC100PY1
150	GRA150110PY1	GRAC150PY1
200	GRA200110PY1	GRAC200PY1
300	GRA300110PY1	GRAC300PY1
400	GRA400110PY1	GRAC400PY1
100	GRA100110MX	GRAC100MX
150	GRA150110MX	GRAC150MX
200	GRA200110MX	GRAC200MX
300	GRA300110MX	GRAC300MX
400	GRA400110MX	GRAC400MX

90° Flat Bend 210mm depth		
W (mm)	Tray Type Solid	Cover Ref
150	GRA150210PY2	GRAC150PY2
150	GRA150210PY1	GRAC150PY1
150	GRA150210MX	GRAC150MX

Bends



45° Flat Bend 50mm depth

W (mm)	Tray Type Solid	Cover Ref
50	GRAN50455PY2	GRACN5045PY2
75	GRAN75455PY2	GRACN7545PY2
50	GRAN50455PY1	GRACN5045PY1
75	GRAN75455PY1	GRACN7545PY1
50	GRAN50455MX	GRACN5045MX
75	GRAN75455MX	GRACN7545MX

45° Flat Bend 60mm depth

W (mm)	Tray Type Solid	Cover Ref
100	GRA10456PY2	GRAC1045PY2
150	GRA15456PY2	GRAC1545PY2
200	GRA20456PY2	GRAC2045PY2
300	GRA30456PY2	GRAC3045PY2
100	GRA10456PY1	GRAC1045PY1
150	GRA15456PY1	GRAC1545PY1
200	GRA20456PY1	GRAC2045PY1
300	GRA30456PY1	GRAC3045PY1
100	GRA10456MX	GRAC1045MX
150	GRA15456MX	GRAC1545MX
200	GRA20456MX	GRAC2045MX
300	GRA30456MX	GRAC3045MX

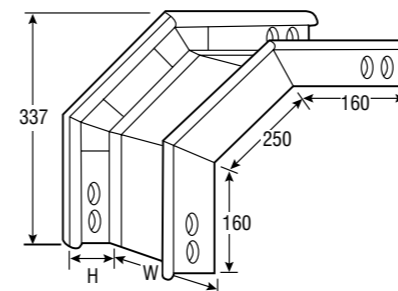
45° Flat Bend 110mm depth

W (mm)	Tray Type Solid	Cover Ref
100	GRA1045110PY2	GRAC1045PY2
150	GRA1545110PY2	GRAC1545PY2
200	GRA2045110PY2	GRAC2045PY2
300	GRA3045110PY2	GRAC3045PY2
400	GRA4045110PY2	GRAC4045PY2
100	GRA1045110PY1	GRAC1045PY1
150	GRA1545110PY1	GRAC1545PY1
200	GRA2045110PY1	GRAC2045PY1
300	GRA3045110PY1	GRAC3045PY1
400	GRA4045110PY1	GRAC4045PY1
100	GRA1045110MX	GRAC1045MX
150	GRA1545110MX	GRAC1545MX
200	GRA2045110MX	GRAC2045MX
300	GRA3045110MX	GRAC3045MX
400	GRA4045110MX	GRAC4045MX

45° Flat Bend 210mm depth

W (mm)	Tray Type Solid	Cover Ref
150	GRA1545210PY2	GRAC1545PY2
150	GRA1545210PY1	GRAC1545PY1
150	GRA1545210MX	GRAC1545MX

Risers



90° External Riser 50mm depth

W (mm)	Tray Type Solid	Cover Ref
50	GREN505PY2	GRECN50PY2
75	GREN755PY2	GRECN75PY2
50	GREN505PY1	GRECN50PY1
75	GREN755PY1	GRECN75PY1
50	GREN505MX	GRECN50MX
75	GREN755MX	GRECN75MX

90° External Riser 60mm depth

W (mm)	Tray Type Solid	Cover Ref
100	GRE1006PY2	GREC1006PY2
150	GRE1506PY2	GREC1506PY2
200	GRE2006PY2	GREC2006PY2
300	GRE3006PY2	GREC3006PY2
100	GRE1006PY1	GREC1006PY1
150	GRE1506PY1	GREC1506PY1
200	GRE2006PY1	GREC2006PY1
300	GRE3006PY1	GREC3006PY1
100	GRE1006MX	GREC1006MX
150	GRE1506MX	GREC1506MX
200	GRE2006MX	GREC2006MX
300	GRE3006MX	GREC3006MX

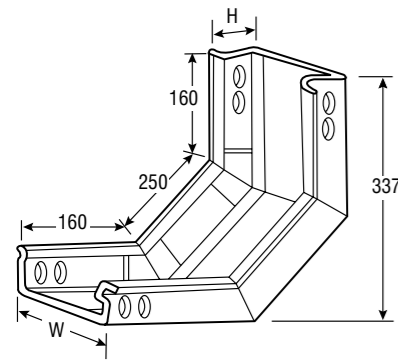
90° External Riser 110mm depth

W (mm)	Tray Type Solid	Cover Ref
100	GRE100110PY2	GREC100110PY2
150	GRE150110PY2	GREC150110PY2
200	GRE200110PY2	GREC200110PY2
300	GRE300110PY2	GREC300110PY2
400	GRE400100PY2	GREC400110PY2
100	GRE100110PY1	GREC100110PY1
150	GRE150110PY1	GREC150110PY1
200	GRE200110PY1	GREC200110PY1
300	GRE300110PY1	GREC300110PY1
400	GRE400100PY1	GREC400110PY1
100	GRE100110MX	GREC100110MX
150	GRE150110MX	GREC150110MX
200	GRE200110MX	GREC200110MX
300	GRE300110MX	GREC300110MX
400	GRE400100MX	GREC400110MX

90° External Riser 210mm depth

W (mm)	Tray Type Solid	Cover Ref
150	GRE150210PY2	GREC150210PY2
150	GRE150210PY1	GREC150210PY1
150	GRE150210MX	GREC150210MX

Risers



90° Internal Riser 50mm depth

W (mm)	Tray Type Solid	Cover Ref
50	GRIN505PY2	GRICN50PY2
75	GRIN755PY2	GRICN75PY2
50	GRIN505PY1	GRICN50PY1
75	GRIN755PY1	GRICN75PY1
50	GRIN505MX	GRICN50MX
75	GRIN755MX	GRICN75MX

90° Internal Riser 60mm depth

W (mm)	Tray Type Solid	Cover Ref
100	GRI1006PY2	GRIC100PY2
150	GRI1506PY2	GRIC150PY2
200	GRI2006PY2	GRIC200PY2
300	GRI3006PY2	GRIC300PY2
100	GRI1006PY1	GRIC100PY1
150	GRI1506PY1	GRIC150PY1
200	GRI2006PY1	GRIC200PY1
300	GRI3006PY1	GRIC300PY1
100	GRI1006MX	GRIC100MX
150	GRI1506MX	GRIC150MX
200	GRI2006MX	GRIC200MX
300	GRI3006MX	GRIC300MX

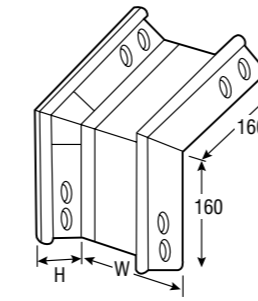
90° Internal Riser 110mm depth

W (mm)	Tray Type Solid	Cover Ref
100	GRI100110PY2	GRIC100PY2
150	GRI150110PY2	GRIC150PY2
200	GRI200110PY2	GRIC200PY2
300	GRI300110PY2	GRIC300PY2
400	GRI400110PY2	GRIC400PY2
100	GRI100110PY1	GRIC100PY1
150	GRI150110PY1	GRIC150PY1
200	GRI200110PY1	GRIC200PY1
300	GRI300110PY1	GRIC300PY1
400	GRI400110PY1	GRIC400PY1
100	GRI100110MX	GRIC100MX
150	GRI150110MX	GRIC150MX
200	GRI200110MX	GRIC200MX
300	GRI300110MX	GRIC300MX
400	GRI400110MX	GRIC400MX

90° Internal Riser 210mm depth

W (mm)	Tray Type Solid	Cover Ref
150	GRI150210PY2	GRIC150PY2
150	GRI150210PY1	GRIC150PY1
150	GRI150210MX	GRIC150MX

Risers



45° External Riser 50mm depth

W (mm)	Tray Type Solid	Cover Ref
50	GREN50455PY2	GRECN5045PY2
75	GREN75455PY2	GRECN7545PY2
50	GREN50455PY1	GRECN5045PY1
75	GREN75455PY1	GRECN7545PY1
50	GREN50455MX	GRECN5045MX
75	GREN75455MX	GRECN7545MX

45° External Riser 60mm depth

W (mm)	Tray Type Solid	Cover Ref
100	GRE1045PY2	GREC10456PY2
150	GRE1545PY2	GREC15456PY2
200	GRE2045PY2	GREC20456PY2
300	GRE3045PY2	GREC30456PY2
100	GRE1045PY1	GREC10456PY1
150	GRE1545PY1	GREC15456PY1
200	GRE2045PY1	GREC20456PY1
300	GRE3045PY1	GREC30456PY1
100	GRE1045MX	GREC10456MX
150	GRE1545MX	GREC15456MX
200	GRE2045MX	GREC20456MX
300	GRE3045MX	GREC30456MX

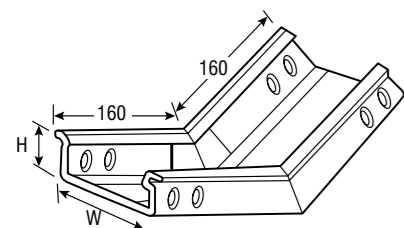
45° External Riser 110mm depth

W (mm)	Tray Type Solid	Cover Ref
100	GRE1045110PY2	GREC1045110PY2
150	GRE1545110PY2	GREC1545110PY2
200	GRE2045110PY2	GREC2045110PY2
300	GRE3045110PY2	GREC3045110PY2
400	GRE4045110PY2	GREC4045110PY2
100	GRE1045110PY1	GREC1045110PY1
150	GRE1545110PY1	GREC1545110PY1
200	GRE2045110PY1	GREC2045110PY1
300	GRE3045110PY1	GREC3045110PY1
400	GRE4045110PY1	GREC4045110PY1
100	GRE1045110MX	GREC1045110MX
150	GRE1545110MX	GREC1545110MX
200	GRE2045110MX	GREC2045110MX
300	GRE3045110MX	GREC3045110MX
400	GRE4045110MX	GREC4045110MX

45° External Riser 210mm depth

W (mm)	Tray Type Solid	Cover Ref
150	GRE1545210PY2	GREC1545210PY2
150	GRE1545210PY1	GREC1545210PY1
150	GRE1545210MX	GREC1545210MX

Risers



45° Internal Riser 50mm depth

W (mm)	Tray Type Solid	Cover Ref
50	GRIN50455PY2	GRICN50PY2
75	GRIN75455PY2	GRICN75PY2
50	GRIN50455PY1	GRICN50PY1
75	GRIN75455PY1	GRICN75PY1
50	GRIN50455MX	GRICN50MX
75	GRIN75455MX	GRICN75MX

45° Internal Riser 60mm depth

W (mm)	Tray Type Solid	Cover Ref
100	GRI1045PY2	GRIC1045PY2
150	GRI1545PY2	GRIC1545PY2
200	GRI2045PY2	GRIC2045PY2
300	GRI3045PY2	GRIC3045PY2
100	GRI1045PY1	GRIC1045PY1
150	GRI1545PY1	GRIC1545PY1
200	GRI2045PY1	GRIC2045PY1
300	GRI3045PY1	GRIC3045PY1
100	GRI1045MX	GRIC1045MX
150	GRI1545MX	GRIC1545MX
200	GRI2045MX	GRIC2045MX
300	GRI3045MX	GRIC3045MX

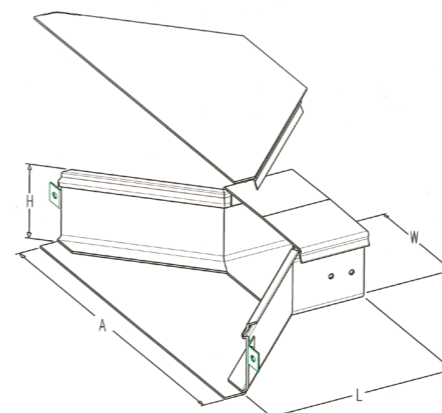
45° Internal Riser 110mm depth

W (mm)	Tray Type Solid	Cover Ref
100	GRI1045110PY2	GRIC1045PY2
150	GRI1545110PY2	GRIC1545PY2
200	GRI2045110PY2	GRIC2045PY2
300	GRI3045110PY2	GRIC3045PY2
400	GRI4045110PY2	GRIC4045PY2
100	GRI1045110PY1	GRIC1045PY1
150	GRI1545110PY1	GRIC1545PY1
200	GRI2045110PY1	GRIC2045PY1
300	GRI3045110PY1	GRIC3045PY1
400	GRI4045110PY1	GRIC4045PY1
100	GRI1045110MX	GRIC1045MX
150	GRI1545110MX	GRIC1545MX
200	GRI2045110MX	GRIC2045MX
300	GRI3045110MX	GRIC3045MX
400	GRI4045110MX	GRIC4045MX

45° Internal Riser 210mm depth

W (mm)	Tray Type Solid	Cover Ref
150	GRI1545210	GRIC1545
150	GRI1545210	GRIC1545
150	GRI1545210MX	GRIC1545MX

Tees



50mm depth

W (mm)	Tray Type Solid	Cover Ref
50	GRTN505PY2	GRTCN50PY2
75	GRTN755PY2	GRTCN75PY2
50	GRTN505PY1	GRTCN50PY1
75	GRTN755PY1	GRTCN75PY1
50	GRTN505MX	GRTCN50MX
75	GRTN755MX	GRTCN75MX

60mm depth

W (mm)	Tray Type Solid	Cover Ref
100	GRT100PY2	GRTC100PY2
150	GRT150PY2	GRTC150PY2
200	GRT200PY2	GRTC200PY2
300	GRT300PY2	GRTC300PY2
100	GRT100PY1	GRTC100PY1
150	GRT150PY1	GRTC150PY1
200	GRT200PY1	GRTC200PY1
300	GRT300PY1	GRTC300PY1
100	GRT100MX	GRTC100MX
150	GRT150MX	GRTC150MX
200	GRT200MX	GRTC200MX
300	GRT300MX	GRTC300MX

110mm depth

W (mm)	Tray Type Solid	Cover Ref
100	GRT100110PY2	GRTC100PY2
150	GRT150110PY2	GRTC150PY2
200	GRT200110PY2	GRTC200PY2
300	GRT300110PY2	GRTC300PY2
400	GRT400110PY2	GRTC400PY2
100	GRT100110PY1	GRTC100PY1
150	GRT150110PY1	GRTC150PY1
200	GRT200110PY1	GRTC200PY1
300	GRT300110PY1	GRTC300PY1
400	GRT400110PY1	GRTC400PY1
100	GRT100110MX	GRTC100MX
150	GRT150110MX	GRTC150MX
200	GRT200110MX	GRTC200MX
300	GRT300110MX	GRTC300MX
400	GRT400110MX	GRTC400MX

210mm depth

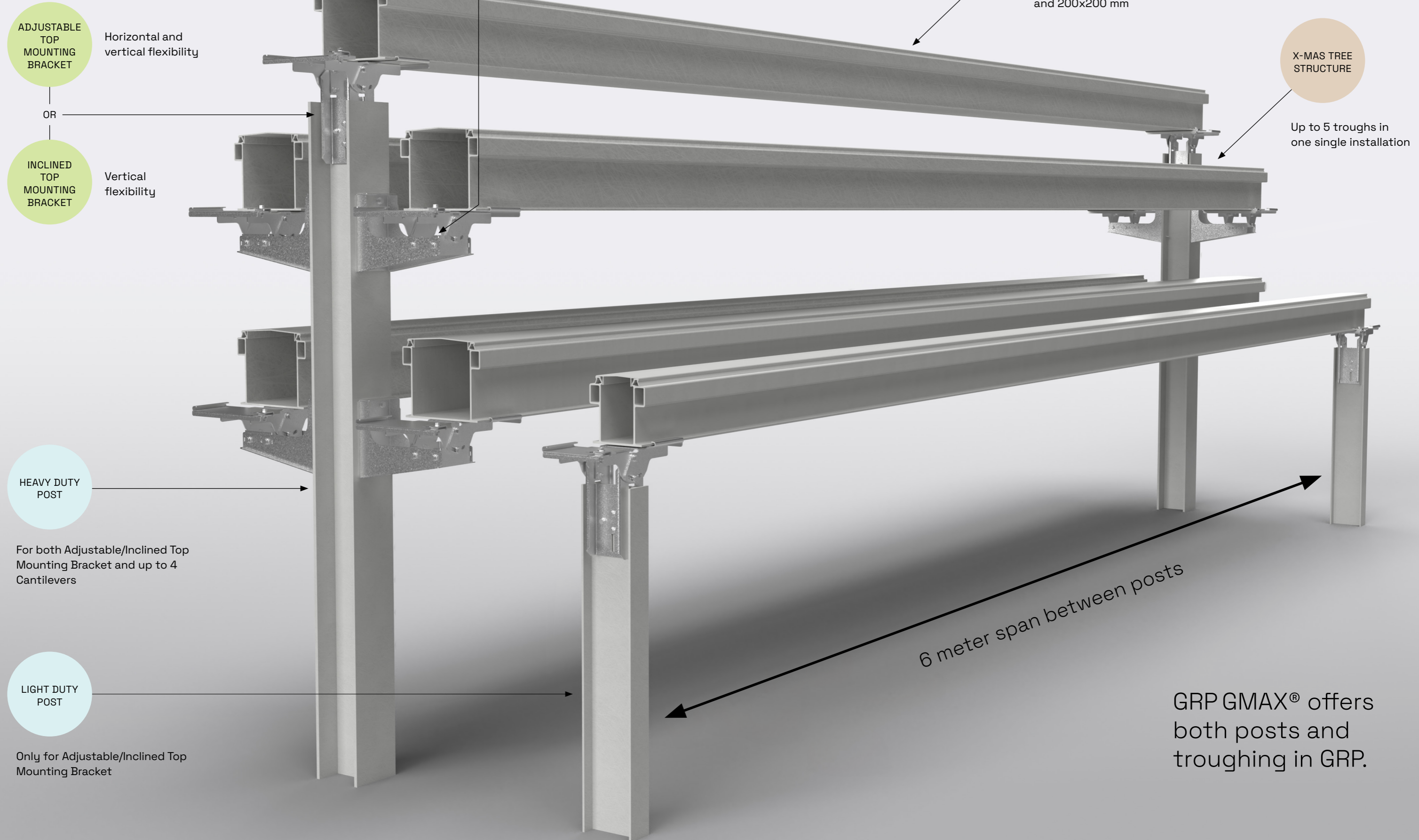
W (mm)	Tray Type Solid	Cover Ref
150	GRT150210PY2	GRTC150PY2
150	GRT150210PY1	GRTC150PY1
150	GRT150210MX	GRTC150MX

Unequal Tees

Unequal Tees are available on request, please contact Schneider Electric on 0870 608 8608 for further details
To make a cross, order 2 Tee Pieces

GRP GMAX®

Flexible, elevated GRP troughing for railways. With a longer span.



ADJUSTABLE CANTILEVER FOR SIDE MOUNTING
Horizontal and vertical flexibility

TROUGH
Available in 100x160mm and 200x200 mm

X-MAS TREE STRUCTURE
Up to 5 troughs in one single installation

ADJUSTABLE TOP MOUNTING BRACKET
Horizontal and vertical flexibility

OR
INCLINED TOP MOUNTING BRACKET
Vertical flexibility

HEAVY DUTY POST
For both Adjustable/Inclined Top Mounting Bracket and up to 4 Cantilevers

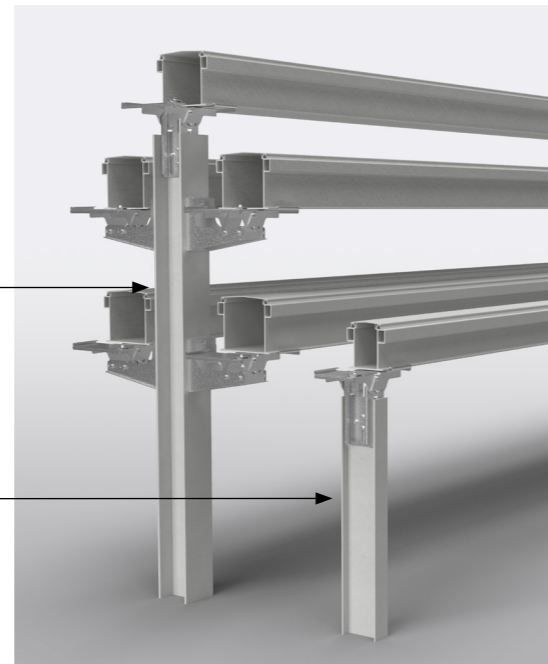
LIGHT DUTY POST
Only for Adjustable/Inclined Top Mounting Bracket

6 meter span between posts

GRP GMAX® offers both posts and troughing in GRP.

Posts

Elevated troughs are supported on GRP posts which are available in three different sizes to ensure the most economical solution.

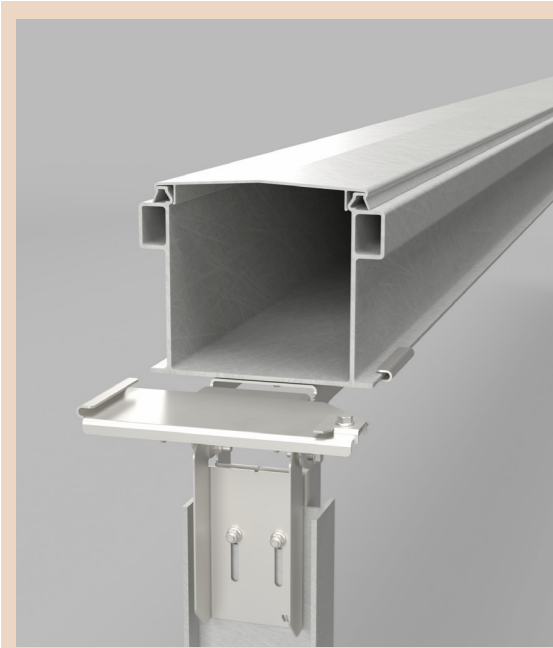


HEAVY DUTY POST

For both Top Mounting Bracket and up to 4 Cantilevers

LIGHT DUTY POST

Only for Top Mounting Bracket



Troughing

GRP GMAX[®] trough is a heavy duty Glass Fibre Reinforced Pultrusion that features a clip on lid. Troughing is available in 2 sizes to ensure efficient cable fill capacity and economical cable runs.

2 sizes

Available in 100x160mm and 200x200 mm. All troughs are 6 m long.

Heavy duty troughing

The thick walled pultrusion ensures the trough is highly resistant to impacts and unforeseen damage that can occur during installation and general use.

Clip on lid

The lid is secured with a positive clipping action, removal is achieved by locating a lever under the lid at one end of the trough and levering the lid upwards.

Brackets

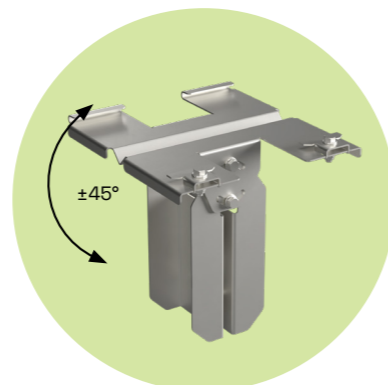
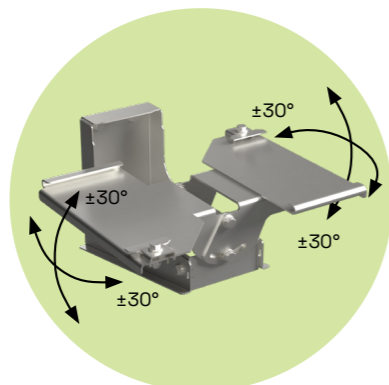
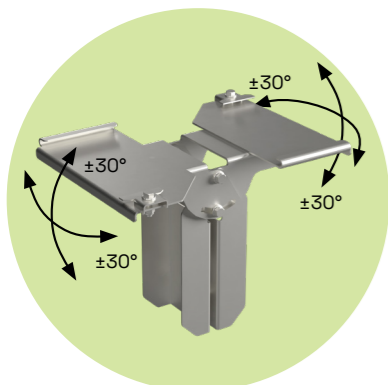
All brackets are manufactured from hot dip galvanized steel. All brackets are manufactured from hot dip galvanized steel. Posts are pre-drilled for Top Mounting Brackets.

Adjustable Top Mounting and Cantilever

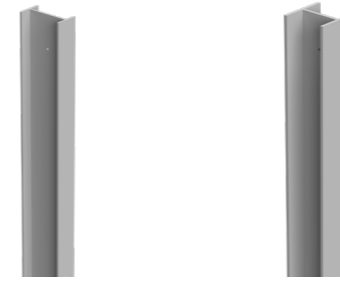
→ These brackets can be adjusted both in the horizontal and vertical planes. Maximum angular adjustment 30°, in both horizontal and vertical planes.

Inclined Top Mounting Bracket

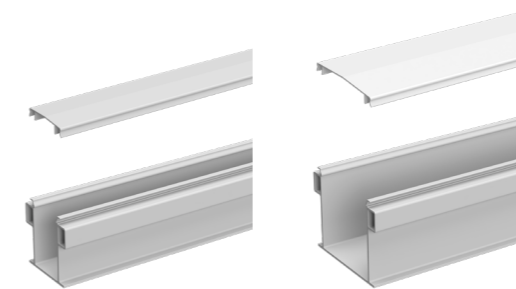
→ The Inclined Top Mounting Bracket should be used for straight runs, where there is only minor deviation in the horizontal path. It can be adjusted 45° in the vertical plane.



GRP GMAX[®] Post



GRP GMAX[®] Trough



GRP GMAX[®] Post Light Duty (for top mounting only)

Size	Aboveground	Underground
2 m	MPG20L6MPY1	MPG20L6MMX

GRP GMAX[®] Post Heavy Duty (for top mounting and cantilever)

Size	Aboveground	Underground
2.4 m	MPG24H6MPY1	MPG24H6MMX
3.0 m	MPG30H6MPY1	MPG30H6MMX

GRP GMAX[®] Trough

Size	Aboveground	Underground
100 x 160 mm x 6 m	GRP1001606MPY1	GRP1001606MMX
200 x 200 mm x 6 m	GRP2002006MPY1	GRP2002006MMX

GRP GMAX[®] Trough lid

Size	Aboveground	Underground
100 mm x 6 m	GRC1006MPY1	GRC1006MMX
200 mm x 6 m	GRC2006MPY1	GRC2006MMX

GRP GMAX[®] Brackets



GRP GMAX[®] Adjustable Cantilever Bracket HDG

Description	For 100x160 mm trough	For 200x200mm trough
Only for Heavy Duty Posts	CB100	CB200

GRP GMAX[®] Adjustable Top Mounting Bracket HDG

Description	For 100x160 mm trough	For 200x200mm trough
Horizontal and vertical flexibility	PM100	PM200

GRP GMAX[®] Inclined Top Mounting Bracket HDG

Description	For 100x160 mm trough	For 200x200mm trough
Vertical flexibility	PM100	PM200

GRP Cable Containment Rail Solution

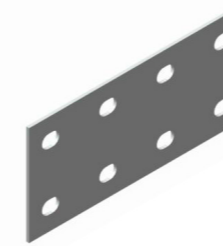


GRP Trough		
Size	Aboveground	Underground
100 x 110mm - Concrete C/1/6	GRP100110PY1	GRP100110MX
150 x 110mm - Concrete C/1/7	GRP150110PY1	GRP150110MX
150 x 110mm - Concrete C/1/7 - 2500V Danger sign	GRP150110KV25PY1	GRP150110KV25MX
150 x 110mm - Concrete C/1/7 - 6 meter	GRP1501106MPY1	GRP1501106MMX
150 x 110mm - Concrete C/1/7 - 2500V Danger sign 6 meter	GRP150110KV256MPY1	GRP150110KV256MMX
150 x 210mm - Concrete C/1/8	GRP150210PY1	GRP150210MX
150 x 210mm - Concrete C/1/8 - 2500V Danger sign	GRP150210KV25PY1	GRP150210KV25MX
150 x 210mm - Concrete C/1/8 - 6 meter	GRP1502106MPY1	GRP1502106MMX
150 x 210mm - Concrete C/1/8 - 2500V Danger sign - 6 meter	GRP150210KV256MPY1	GRP150210KV256MMX
200 x 110mm - Concrete C/1/9	GRP200110PY1	GRP200110MX
200 x 110mm - Concrete C/1/9 - 2500V Danger sign	GRP200110KV25PY1	GRP200110KV25MX
200 x 110mm - Concrete C/1/9 - 6 meter	GRP2001106MPY1	GRP2001106MMX
200 x 110mm - Concrete C/1/9 - 2500V Danger sign	GRP200110KV256MPY1	GRP200110KV256MMX
300 x 110mm - Concrete C/1/10	GRP300110PY1	GRP300110MX
300 x 110mm - Concrete C/1/10 - 2500V Danger sign	GRP300110KV25PY1	GRP300110KV25MX
300 x 110mm - Concrete C/1/10 - 6 meter	GRP3001106MPY1	GRP3001106MMX
300 x 110mm - Concrete C/1/10 - 2500V Danger sign 6 meter	GRP300110KV256MPY1	GRP300110KV256MMX
400 x 110mm - Concrete C/1/29	GRP400110PY1	GRP400110MX

GRP Lid		
Size	Aboveground	Underground
100 x 110mm	GRC100PY1	GRC100MX
100 x 110mm - 6 meter	GRC1006PY1	GRC1006MX
150 x 110mm	GRC150PY1	GRC150MX
150 x 110mm - 2500V Danger sign	GRC150KV25PY1	GRC150KV25MX
150 x 110mm - 6 meter	GRC1506MPY1	GRC1506MMX
150 x 110mm - 2500V Danger sign - 6 meter	GRC150KV256MPY1	GRC150KV256MMX
150 x 210mm	GRC150PY1	GRC150MX
150 x 210mm - 2500V Danger sign	GRC150KV25PY1	GRC150KV25MX
150 x 210mm - 6 meter	GRC1506MPY1	GRC1506MMX
150 x 210mm - 2500V Danger sign - 6 meter	GRC150KV256MPY1	GRC150KV256MMX
200 x 110mm	GRC200PY1	GRC200MX
200 x 110mm - 2500V Danger sign	GRC200KV25PY1	GRC200KV25MX
200 x 110mm - 6 meter	GRC2006MPY1	GRC2006MMX
200 x 110mm - 2500V Danger sign - 6 meter	GRC200KV256MPY1	GRC200KV256MMX
300 x 110mm	GRC300PY1	GRC300MX
300 x 110mm - 2500V Danger sign	GRC300KV25PY1	GRC300KV25MX
300 x 110mm - 6 meter	GRC3006MPY1	GRC3006MMX
300 x 110mm - 2500V Danger sign - 6 meter	GRC300KV256MPY1	GRC300KV256MMX
400 x 110mm	GRC400PY1	GRC400MX



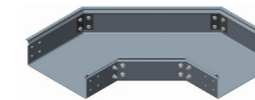
GRP Cable Containment Rail Solution



GRP Couplers			
Size	Aboveground	Underground	Stainless Steel
100 x 110mm	GHCOPY1	GHCOSMX	GHCS
150 x 110mm	GHCOPY1	GHCOSMX	GHCS
150 x 210mm	GHC210PY1	GHC210SMX	GHCS210
200 x 110mm	GHCOPY1	GHCOSMX	GHCS
300 x 110mm	GHCOPY1	GHCOSMX	GHCS
400 x 110mm	GHCOPY1	GHCOSMX	GHCS



Elevated GRP Trough Adaptor - Concrete Ground Trough		
Size	Aboveground	Underground
100 x 110mm - Concrete C/1/6	GRCTA1910V342BPY1	GRCTA1910V342BMX
150 x 110mm - Concrete C/1/7	GRCTA1915V342BPY1	GRCTA1915V342BMX
150 x 210mm - Concrete C/1/8	GRCTA18150V342BPY1	GRCTA18150V342BMX
200 x 110mm - Concrete C/1/9	GRCTA1920V342BPY1	GRCTA1920V342BMX
300 x 110mm - Concrete C/1/10	GRCTA1930V342BPY1	GRCTA1930V342BMX
400 x 110mm - Concrete C/1/29	GRCTA1940V342BPY1	GRCTA1940V342BMX



90 Degree Flat Bend		
Size	Aboveground	Underground
100 x 110mm	GRA100110R1500PY1	GRA100110R1500MX
150 x 110mm	GRA150110R1500PY1	GRA150110R1500MX
150 x 210mm	GRA150210R1500PY1	GRA150210R1500MX
200 x 110mm	GRA200110R1500PY1	GRA200110R1500MX
300 x 110mm	GRA300110R1500PY1	GRA300110R1500MX
400 x 110mm	GRA400110R1500PY1	GRA400110R1500MX

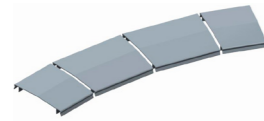


90 Degree Flat Bend Lid		
Size	Aboveground	Underground
100 x 110mm	GRAC100R1500PY1	GRAC100R1500MX
150 x 110mm	GRAC150R1500PY1	GRAC150R1500MX
150 x 210mm	GRAC150R1500PY1	GRAC150R1500MX
200 x 110mm	GRAC200R1500PY1	GRAC200R1500MX
300 x 110mm	GRAC300R1500PY1	GRAC300R1500MX
400 x 110mm	GRAC400R1500PY1	GRAC400R1500MX

GRP Cable Containment Rail Solution



30 Degree Flat Bend		
Size	Aboveground	Underground
100 x 110mm	GRA1030110R1500PY1	GRA1030110R1500MX
150 x 110mm	GRA1530110R1500PY1	GRA1530110R1500MX
150 x 210mm	GRA1530210R1500PY1	GRA1530210R1500MX
200 x 110mm	GRA2030110R1500PY1	GRA2030110R1500MX
300 x 110mm	GRA3030110R1500PY1	GRA3030110R1500MX
400 x 110mm	GRA4030110R1500PY1	GRA4030110R1500MX



30 Degree Flat Bend Lid		
Size	Aboveground	Underground
100 x 110mm	GRAC1030R1500PY1	GRAC1030R1500MX
150 x 110mm	GRAC1530R1500PY1	GRAC1530R1500MX
150 x 210mm	GRAC1530R1500PY1	GRAC1530R1500MX
200 x 110mm	GRAC2030R1500PY1	GRAC2030R1500MX
300 x 110mm	GRAC3030R1500PY1	GRAC3030R1500MX
400 x 110mm	GRAC4030R1500PY1	GRAC4030R1500MX



90 Degree External Riser		
Size	Aboveground	Underground
100 x 110mm	GRE100110R1500PY1	GRE100110R1500MX
150 x 110mm	GRE150110R1500PY1	GRE150110R1500MX
150 x 210mm	GRE150210R1500PY1	GRE150210R1500MX
200 x 110mm	GRE200110R1500PY1	GRE200110R1500MX
300 x 110mm	GRE300110R1500PY1	GRE300110R1500MX
400 x 110mm	GRE400110R1500PY1	GRE400110R1500MX



90 Degree External Riser Lid		
Size	Aboveground	Underground
100 x 110mm	GREC100110R1500PY1	GREC100110R1500MX
150 x 110mm	GREC150110R1500PY1	GREC150110R1500MX
150 x 210mm	GREC150210R1500PY1	GREC150210R1500MX
200 x 110mm	GREC200110R1500PY1	GREC200110R1500MX
300 x 110mm	GREC300110R1500PY1	GREC300110R1500MX
400 x 110mm	GREC400110R1500PY1	GREC400110R1500MX

GRP Cable Containment Rail Solution



30 Degree External Riser		
Size	Aboveground	Underground
100 x 110mm	GRE1030110R1500PY1	GRE1030110R1500MX
150 x 110mm	GRE1530110R1500PY1	GRE1530110R1500MX
150 x 210mm	GRE1530210R1500PY1	GRE1530210R1500MX
200 x 110mm	GRE2030110R1500PY1	GRE2030110R1500MX
300 x 110mm	GRE3030110R1500PY1	GRE3030110R1500MX
400 x 110mm	GRE4030110R1500PY1	GRE4030110R1500MX



30 Degree External Riser Lid		
Size	Aboveground	Underground
100 x 110mm	GREC1030110R1500P1	GREC1030110R1500MX
150 x 110mm	GREC1530110R1500P1	GREC1530110R1500MX
150 x 210mm	GREC1530210R1500P1	GREC1530210R1500MX
200 x 110mm	GREC2030110R1500P1	GREC2030110R1500MX
300 x 110mm	GREC3030110R1500P1	GREC3030110R1500MX
400 x 110mm	GREC4030110R1500P1	GREC4030110R1500MX

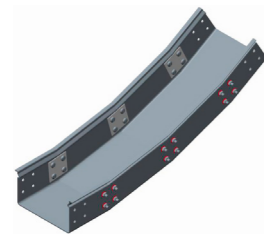


90 Degree Internal Riser		
Size	Aboveground	Underground
100 x 110mm	GRI100110R1500PY1	GRI100110R1500MX
150 x 110mm	GRI150110R1500PY1	GRI150110R1500MX
150 x 210mm	GRI150210R1500PY1	GRI150210R1500MX
200 x 110mm	GRI200110R1500PY1	GRI200110R1500MX
300 x 110mm	GRI300110R1500PY1	GRI300110R1500MX
400 x 110mm	GRI400110R1500PY1	GRI400110R1500MX



90 Degree Internal Riser Lid		
Size	Aboveground	Underground
100 x 110mm	GRIC100110R1500PY1	GRIC100110R1500MX
150 x 110mm	GRIC150110R1500PY1	GRIC150110R1500MX
150 x 210mm	GRIC150210R1500PY1	GRIC150210R1500MX
200 x 110mm	GRIC200110R1500PY1	GRIC200110R1500MX
300 x 110mm	GRIC300110R1500PY1	GRIC300110R1500MX
400 x 110mm	GRIC400110R1500PY1	GRIC400110R1500MX

GRP Cable Containment Rail Solution

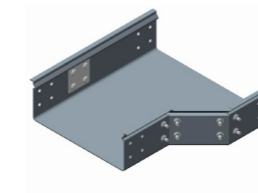


30 Degree Internal Riser		
Size	Aboveground	Underground
100 x 110mm	GR11030110R1500PY1	GR11030110R1500MX
150 x 110mm	GR1530110R1500PY1	GR1530110R1500MX
150 x 210mm	GR1530210R1500PY1	GR1530210R1500MX
200 x 110mm	GR2030110R1500PY1	GR2030110R1500MX
300 x 110mm	GR3030110R1500PY1	GR3030110R1500MX
400 x 110mm	GR4030110R1500PY1	GR4030110R1500MX



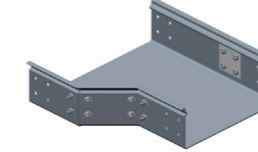
30 Degree Internal Riser Lid		
Size	Aboveground	Underground
100 x 110mm	GRIC1030110R1500P1	GRIC1030110R1500MX
150 x 110mm	GRIC1530110R1500P1	GRIC1530110R1500MX
150 x 210mm	GRIC1530210R1500P1	GRIC1530210R1500MX
200 x 110mm	GRIC2030110R1500P1	GRIC2030110R1500MX
300 x 110mm	GRIC3030110R1500P1	GRIC3030110R1500MX
400 x 110mm	GRIC4030110R1500P1	GRIC4030110R1500MX

GRP Trough Reducers



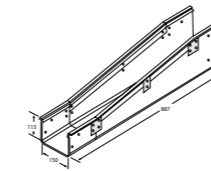
Left Hand Reducer				
Size	Aboveground		Underground	
150x110mm to 100x110mm	GR150L10110PY1	GRC150L10PY1	GR150L10110MX	GRC150L10MX
200x110mm to 150x110mm	GR200L15110PY1	GRC200L15PY1	GR200L15110MX	GRC200L15MX
200x110mm to 150x210mm	GR200110L150210PY1	*Supplied with Lid	GR200110L150210MX	*Supplied with Lid
300x110mm to 200x110mm	GR300L20110PY1	GRC300L20PY1	GR300L20110MX	GRC300L20MX
400x110mm to 300x110mm	GR400L30110PY1	GRC400L30PY1	GR400L30110MX	GRC400L30MX

* GRP trough reducer and lid supplied together

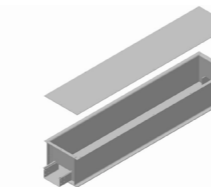


Right Hand Reducer				
Size	Aboveground		Underground	
150x110mm to 100x110mm	GR150R10110PY1	GRC150R10PY1	GR150R10110MX	GRC150R10MX
200x110mm to 150x110mm	GR200R15110PY1	GRC200R15PY1	GR200R15110MX	GRC200R15MX
200x110mm to 150x210mm	GR200110R150210PY1	*Supplied with Lid	GR200110R150210MX	*Supplied with Lid
300x110mm to 200x110mm	GR300R20110PY1	GRC300R20PY1	GR300R20110MX	GRC300R20MX
400x110mm to 300x110mm	GR400R30110PY1	GRC400R30PY1	GR400R30110MX	GRC400R30MX

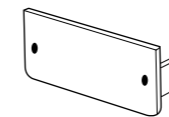
* GRP trough reducer and lid supplied together



Base Level Straight Reducer		
Size	Aboveground	Underground
150x110 to 150x210	GR15211511BCPY1	GR15211511BCMX



GRP Trough Jointing Bay		
GRP I beam post length	Aboveground	Underground
350W x 300D x 200 x 110 Trough	GRPJBAY200110C43P1	GRPJBAY200110C43MX



GRP Trough End Stops		
Size	Aboveground	Underground
100x110	END100110PY1	END100110MX
150x110	END150110PY1	END150110MX
150x210	END150210PY1	END150210MX
200x110	END200110PY1	END200110MX
300x110	END300110PY1	END300110MX
400x110	END400110PY1	END400110MX

GRP Fixings

Panhead Bolts, Nuts & Washers

Reference number	Specification
MSS820BP	Bolt M8 x 20mm Slotted panhead 316 stainless steel
MSS8N	Nut M8 316 Stainless Steel
W8SS	Washer round M8 316 stainless steel



Bracket to Post Fixing Kit

Reference number	Specification
M8BNWZP/B	M8 Nut, Bolt, Washer kit
M8SSRBK	GMAX M8 Nut, Bolt, Washer kit



NEW

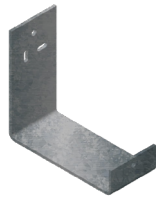
Steel Brackets for GRP Posts

Reference number	Dimensions	For use with trough width
BRK150SL50	230 x 150 x 50mm	100mm
BRK200SL50	230 x 200 x 50mm	150mm
BRK250SL50	230 x 250 x 50mm	200mm



Steel Brackets for Steel Posts or Walls

Reference number	Dimensions	For troughing size
BRK150	230 x 150 x 110	GRP100
BRK200	230 x 200 x 110	GRP150
BRK250	230 x 250 x 110	GRP200
BRK350	230 x 350 x 110	GRP300
BRK450	230 x 450 x 110	GRP400



NEW

Steel Brackets and Trough Leveling Accessories for GRP GMAX Posts

Reference number	Description	For troughing size
RB1006M + PM100 + CB100	Riser bracket, post mounting and cantilever kit	GRP100 GRP GMAX
RB2006M + PM200 + CB200	Riser bracket, post mounting and cantilever kit	GRP200 GRP GMAX
HDCS	Holddown clamp	GRP GMAX

Elevated Trough Posts GRP

GRP Posts for trough size 100mm - 200mm wide	GRP I beam post length
MPG14PY1	1.4 metres
MPG20PY1	2.0 metres
MPG24PY1	2.4 metres
MPG30PY1	3.0 metres
GRP Posts for trough size 100mm-200mm wide for GRP GMAX	GRP I beam post length
MPG20L6MPY1	2.0 meters
MPG24h6MPY1	2.4 meters
MPG30h6MPY1	3.0 meters



NEW

Elevated Trough Post Steel

GRP Posts for trough size 300mm - 400mm wide	Specification
MPS14	Single trough, Steel hot dip galv. 1.4 metres
MPS24	Single trough, Steel hot dip galv. 2.4 metres
MPD24	Double trough, Steel hot dip galv. 2.4 metres
MPS30	Single trough, steel hot dip galv 3 metres
MPD30	Double trough, Steel hot dip galv 3 metres
MPD30	Double trough, Steel hot dip galv 3 metres



Cleats

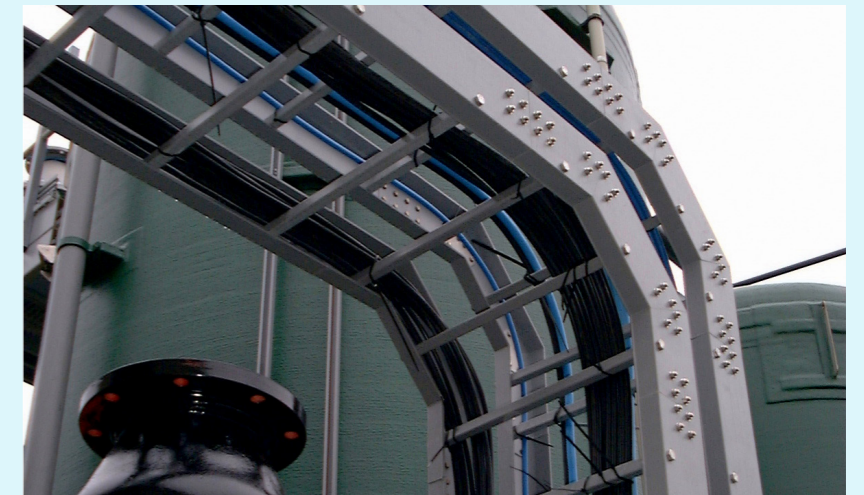
Heavy Duty Cleats

Ref	Description	Pack Quantity	Weight (kg)	Length (mm)	Width (mm)	Height (mm)
Single Hole Cleats						
CL1F10B	Cleat Single Hole 10 to 13mm	100	0,02	41,4	37,8	30
CL1F11B	Cleat Single Hole 13 to 16mm	100	0,03	41,4	41,2	33
CL1F12B	Cleat Single Hole 16 to 19mm	100	0,03	41,4	44,3	36
CL1F13B	Cleat Single Hole 19 to 23mm	100	0,04	41,4	48,2	40
CL1F14B	Cleat Single Hole 23 to 27mm	100	0,04	41,4	52,2	44
CL1F15B	Cleat Single Hole 27 to 32mm	100	0,05	41,4	57,1	49
CL1F16B	Cleat Single Hole 32 to 38mm	100	0,06	41,4	63,1	55
CL1F17B	Cleat Single Hole 38 to 46mm	50	0,08	41,4	71,3	66
CL1F18B	Cleat Single Hole 46 to 51mm	50	0,09	41,4	77,3	73
CL1F19B	Cleat Single Hole 51 to 57mm	50	0,1	41,4	83,2	78
Two Hole Cleats						
CL2F10B	Cleat 2-Hole 57 to 64mm	25	0,09	54	103	89
CL2F11LB	Cleat 2-Hole 64 to 70mm	10	0,12	54	130	95
CL2F1200B	Cleat 2-Hole 70 to 76mm	10	0,16	75	128	101
CL2F1201B	Cleat 2-Hole 76 to 83mm	10	0,17	75	135	107
CL2F1202B	Cleat 2-Hole 83 to 90mm	10	0,19	75	143	115
CL2F132B	Cleat 2-Hole 97 to 105mm	5	0,36	100	171	130
CL2F141LB	Cleat 2-Hole 105 to 112mm	5	0,38	100	178	137
Approved by London Underground						
CL1F10LUL	Cleat LUL 10 to 13mm	100	0,02	41,4	37,8	30
CL1F11LUL	Cleat LUL 13 to 16mm	100	0,03	41,4	41,2	33
CL1F12LUL	Cleat LUL 16 to 19mm	100	0,03	41,4	44,3	36
CL1F13LUL	Cleat LUL 19 to 23mm	100	0,04	41,4	48,2	40
CL1F14LUL	Cleat LUL 23 to 27mm	100	0,04	41,4	52,2	44
CL1F15LUL	Cleat LUL 27 to 32mm	100	0,05	41,4	57,1	49
CL1F16LUL	Cleat LUL 32 to 38mm	100	0,06	41,4	63,1	55
CL1F17LUL	Cleat LUL 38 to 46mm	50	0,08	41,4	71,3	66
CL1F18LUL	Cleat LUL 46 to 51mm	50	0,09	41,4	77,3	73
CL1F19LUL	Cleat LUL 51 to 57mm	50	0,1	41,4	83,2	78
No bolt - twist fix						
CLNBC1822TF	Cleat TF 18-22mm	1	0,83	90	109	192
CLNBC2026TF	Cleat TF 20-26mm	1	0,82	90	109	192
CLNBC2430TF	Cleat TF 24-30mm	1	0,81	90	109	192
CLNBC2834TF	Cleat TF 28-34mm	1	0,8	90	109	192
CLNBC3239TF	Cleat TF 32-39mm	1	0,79	90	109	192
CLNBC3747TF	Cleat TF 37-47mm	1	0,76	90	109	192
CLNBC4555TF	Cleat TF 45-55mm	1	0,68	85	109	192

Support Systems



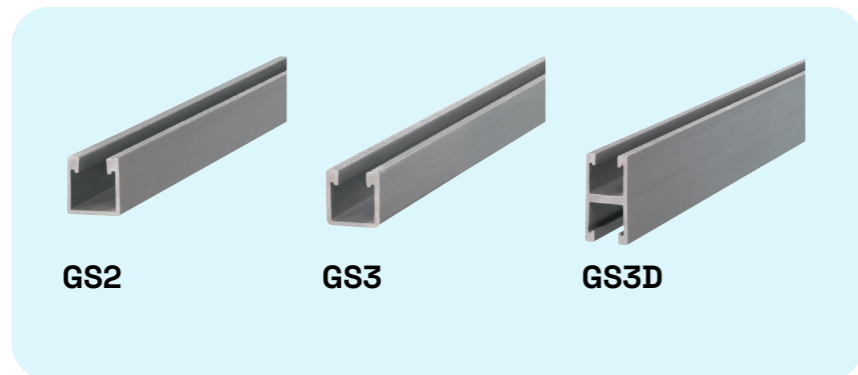
- GRP Channel Support Systems 68
- Channels 69
- GRP Plates 70
- GRP Brackets 71
- GRP Couplers 72
- GRP Supports 73
- Cantilever Arm Supports 74
- Trapeze Support 76
- Support Systems 77



Technical supplement available on request.
Please contact the Customer Information Centre
on 0870 608 8 608

GRP Channel Support Systems

Selection & Ordering		
Selection Information	Standard Product	Alternative Options
		Please specify any alternative options required, on enquiry
	Please contact us for details of any minimum manufacturing quantities, lead times and price premiums which may apply	
Material	Polyester Resin	Other resins available on request
Length	3000mm	
Width		GS2, GS3
Covers	Snap on	
Hole Diameter	Hole diameter on all fittings are M10 clearance. Other clearance hole sizes can be supplied to order. Fittings are shown in their typical application. There are many other situations where they can be used. GRP fittings suit all sections.	
Associated Products and Additional Information References		
	Page Number	
Technical Section		Separate technical guide is available on request



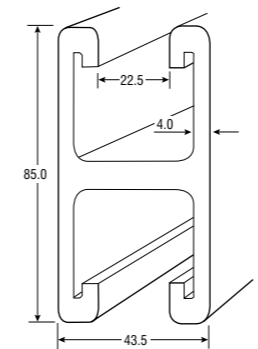
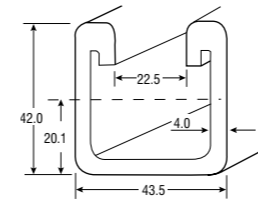
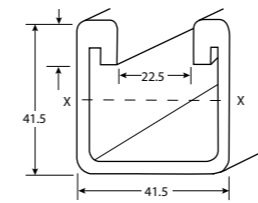
GRP SUPPORT CHANNEL & COVER

As well as being the perfect accompaniment to other Mita® industrial support products, this range of Channel Support Systems is ideal for mounting other industrial service items such as pipework and ducting.

Fibstrut™ has high rigidity coupled with an excellent load bearing to weight ratio and of course is totally resistant to a wide range of corrosive agents. The Support Channel often forms the very backbone for an installation to which everything else is mounted. This assurance of strength and serviceability in harsh environments will come as a welcome message to those involved in the specification and installation of Channel Support Systems.

GS0 only accepts channel nut types SCN8, SCN10 (without springs) see page 59. Other types accept standard channel nuts.

Channels



Standard Duty Channel				
Ref	Resin Type	Ref Dimensions (mm)	Weight (kg/m)	Length (mm)
GS2PY1	PY1	41.5 x 41.5	0,87	3000
GS2MX	MX	41.5 x 41.5	0,87	3000
GS2PY1C	PY1C	41.5 x 41.5	0,87	3000

Heavy Duty Channel				
Ref	Resin Type	Ref Dimensions (mm)	Weight (kg/m)	Length (mm)
GS3PY1	PY1	42.5 x 43.5	1,1	3000
GS3MX	MX	42.5 x 43.5	1,1	3000
GS3PY1C	PY1C	42.5 x 43.5	1,1	3000

Extra Heavy Duty Channel				
Ref	Resin Type	Ref Dimensions (mm)	Weight (kg/m)	Length (mm)
GS3DPY1	PY1	85 x 43.5	*	3000
GS3DMX	MX	85 x 43.5	*	3000
GS3DPY1C	PY1C	85 x 43.5	*	3000

*Please inquire for the weight information.

GRP Plates

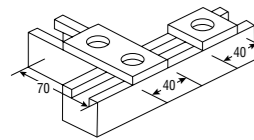


Plate	
Ref	Dimensions (mm)
GSC1PY2	8 x 40 x 40
GSC2PY2	5 x 40 x 70
GSC13NSPY2	3 x 40 x 40

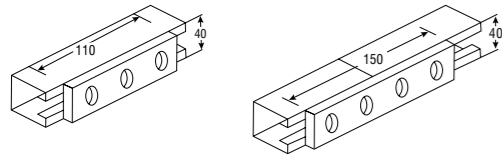
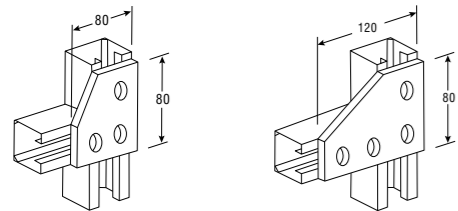
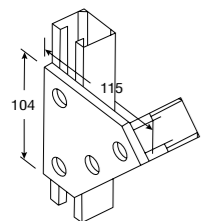


Plate	
Ref	Dimensions (mm)
GSC3PY2	5 x 40 x 110
GSC4PY2	5 x 40 x 150

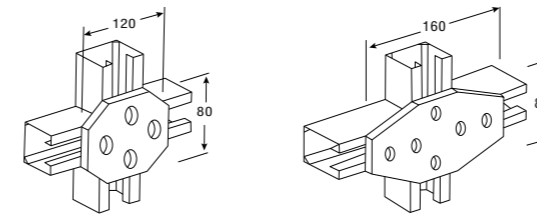


'L' Plate	
Ref	Dimensions (mm)
GSL3PY2	8 x 80 x 80
GSL4PY2	8 x 80 x 120

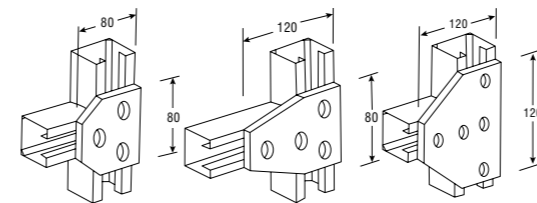


'Y' Plate	
Ref	Dimensions (mm)
GSY4PY2	5 x 104 x 115

GRP Plates

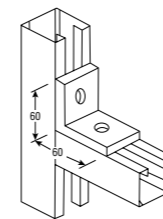


'X' Plate	
Ref	Dimensions (mm)
GSX4PY2	8 x 80 x 80
GSX6PY2	8 x 80 x 200



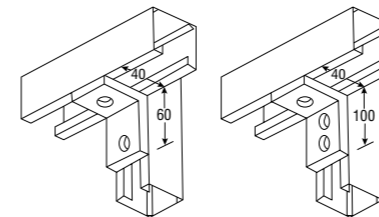
'T' Plate	
Ref	Dimensions (mm)
GST3PY2	8 x 80 x 80
GST4PY2	8 x 80 x 120
GST5PY2	5 x 120 x 120

GRP Brackets

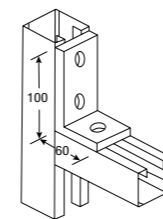


Angle Bracket	
Ref	Dimensions (mm)
GS266PY2	8 x 40 x 60/60

Horizontal strut to be supported at both ends.

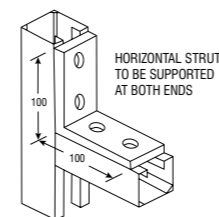


Angle Bracket	
Ref	Dimensions (mm)
GS246PY2	8 x 40 x 40/60
GS3410PY2	8 x 40 x 40/100



Angle Bracket	
Ref	Dimensions (mm)
GS3610PY2	8 x 40 x 60/100

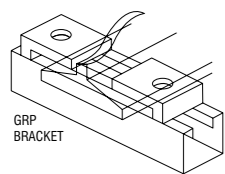
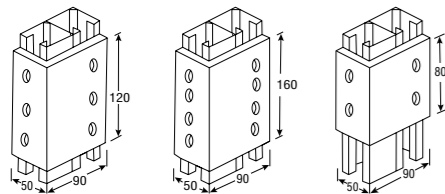
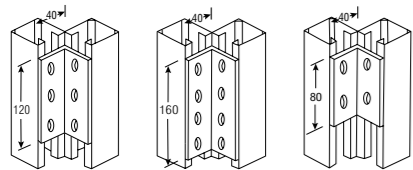
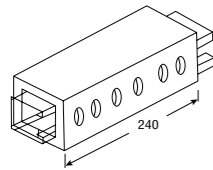
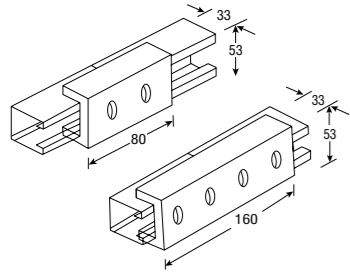
Horizontal strut to be supported at both ends.



Angle Bracket	
Ref	Dimensions (mm)
GS41010PY2	8 x 40 x 100/100

Horizontal strut to be supported at both ends.

GRP Couplers



GRP BRACKET

'U' Coupler

Ref	Dimensions (mm)
GSU2PY2	53 x 33 x 80
GSU4PY2	53 x 33 x 160

External Tube Connector
Note: Can only be used with GS1 and GS2

'U' Coupler

Ref	Dimensions (mm)
GSB6PY2	3.5 x 51/51 x 240

External Tube Connector
Note: Can only be used with GS3

Corner Coupler (Internal)

Ref	Dimensions (mm)
GSIC4PY2	5 x 40/40 x 80
GSIC6PY2	5 x 40/40 x 120
GSIC8PY2	5 x 40/40 x 180

Corner Coupler (External)

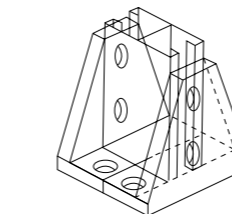
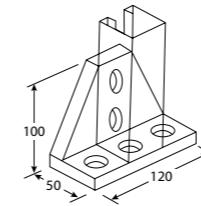
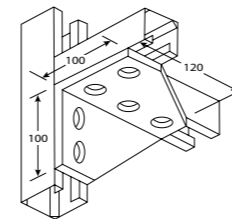
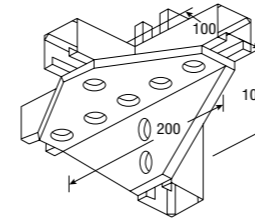
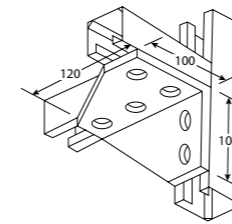
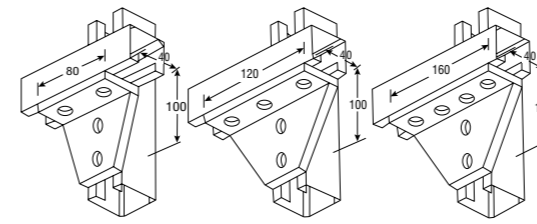
Ref	Dimensions (mm)
GSEC4PY2	5 x 50/90 x 80
GSEC6PY2	5 x 50/90 x 160
GSEC8PY2	5 x 50/90 x 180

Hold Down Clamp (Can be used as ladder hold down clamp)

Ref	Dimensions (mm)
GHDCGPY2	8 x 20/60 x 40

Please state flange thickness when ordering

GRP Supports



Angle Support

Ref	Resin Type	Dimensions (mm)
GS4410PY1	PY1	8 x 80 x 40/100
GS4410MX	MX	8 x 80 x 40/100
GS4410PY1C	PY1C	8 x 80 x 40/100
GS5410PY1	PY1	8 x 120 x 40/100
GS5410MX	MX	8 x 120 x 40/100
GS5410PY1C	PY1C	8 x 120 x 40/100
GS6410PY1	PY1	8 x 160 x 40/100
GS6410MX	MX	8 x 160 x 40/100
GS6410PY1C	PY1C	8 x 160 x 40/100

Left Hand Corner Support

Ref	Dimensions (mm)
GSCL6PY2	8 x 100/100 x 120

'X' Support

Ref	Dimensions (mm)
GSCX8PY2	8 x 100/100 x 200

Right Angled Corner Support

Ref	Dimensions (mm)
GSCR6PY2	8 x 100/100 x 120

Base Support

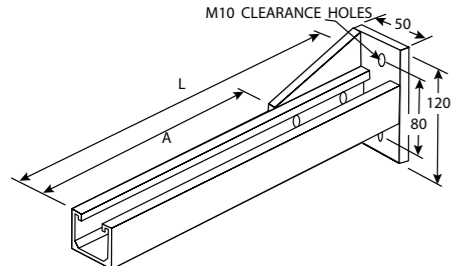
Ref	Dimensions (mm)
GSBS5PY2	8 x 120 x 50/100

Base Support

Ref	Dimensions (mm)
GSBS52DPY2	2 of GSBS5

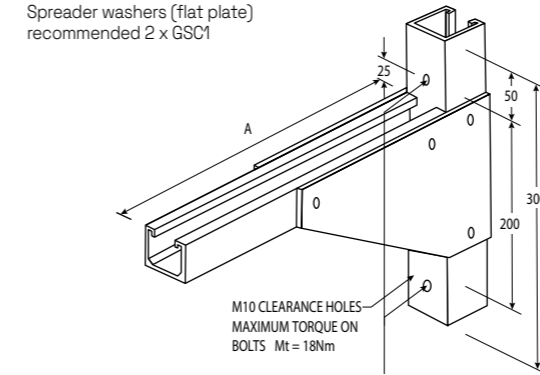
For back to back section GS3D

Cantilever Arm Supports



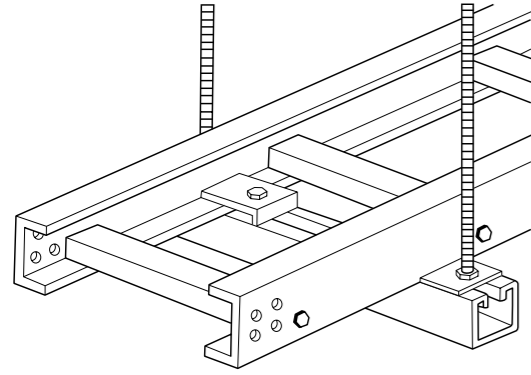
Light Standard Duty GRP				
Ref	Resin Type	Dimensions (mm)		Weight (kg)
		A	L	
GSCA050PY1	PY1	70	170	0,46
GSCA050MX	MX	70	170	0,46
GSCA050PY1C	PY1C	70	170	0,46
GSCA075PY1	PY1	95	195	0,48
GSCA075MX	MX	95	195	0,48
GSCA075PY1C	PY1C	95	195	0,48
GSCA100PY1	PY1	120	220	0,50
GSCA100MX	MX	120	220	0,50
GSCA100PY1C	PY1C	120	220	0,50
GSCA150PY1	PY1	170	270	0,54
GSCA150MX	MX	170	270	0,54
GSCA150PY1C	PY1C	170	270	0,54
GSCA200PY1	PY1	220	320	0,58
GSCA200MX	MX	220	320	0,58
GSCA200PY1C	PY1C	220	320	0,58
GSCA250PY1	PY1	270	370	0,62
GSCA250MX	MX	270	370	0,62
GSCA250PY1C	PY1C	270	370	0,62
GSCA300PY1	PY1	320	420	0,66
GSCA300MX	MX	320	420	0,66
GSCA300PY1C	PY1C	320	420	0,66
GSCA400PY1	PY1	420	520	0,74
GSCA400MX	MX	420	520	0,74
GSCA400PY1C	PY1C	420	520	0,74
GSCA450PY1	PY1	470	570	0,78
GSCA450MX	MX	470	570	0,78
GSCA450PY1C	PY1C	470	570	0,78

Cantilever Arm Supports



Heavy Duty GRP				
Ref	Resin Type	Dimensions (mm)		Weight (kg)
		A		
GSCAH015PY1	PY1	180		1,09
GSCAH015MX	MX	180		1,09
GSCAH015PY1C	PY1C	180		1,09
GSCAH020PY1	PY1	230	1.22	1,22
GSCAH020MX	MX	230	1.22	1,22
GSCAH020PY1C	PY1C	230	1.22	1,22
GSCAH025PY1	PY1	280		1,35
GSCAH025MX	MX	280		1,35
GSCAH025PY1C	PY1C	280		1,35
GSCAH030PY1	PY1	330		1,47
GSCAH030MX	MX	330		1,47
GSCAH030PY1C	PY1C	330		1,47
GSCAH035 PY1	PY1	380		1,6
GSCAH035 MX	MX	380		1,6
GSCAH035 PY1C	PY1C	380		1,6
GSCAH040 PY1	PY1	430		1,73
GSCAH040 MX	MX	430		1,73
GSCAH040 PY1C	PY1C	430		1,73
GSCAH045 PY1	PY1	480		1,85
GSCAH045 MX	MX	480		1,85
GSCAH045 PY1C	PY1C	480		1,85
GSCAH050 PY1	PY1	530		1,98
GSCAH050 MX	MX	530		1,98
GSCAH050 PY1C	PY1C	530		1,98
GSCAH055 PY1	PY1	580		2,11
GSCAH055 MX	MX	580		2,11
GSCAH055 PY1C	PY1C	580		2,11
GSCAH060 PY1	PY1	630		2,23
GSCAH060 MX	MX	630		2,23
GSCAH060 PY1C	PY1C	630		2,23
GSCAH065 PY1	PY1	680		2,36
GSCAH065 MX	MX	680		2,36
GSCAH065 PY1C	PY1C	680		2,36
GSCAH075 PY1	PY1	780		2,62
GSCAH075 MX	MX	780		2,62
GSCAH075 PY1C	PY1C	780		2,62
GSCAH080PY1	PY1	830		2,74
GSCAH080MX	MX	830		2,74
GSCAH080PY1C	PY1C	830		2,74
GSCAH090 PY1	PY1	930		3
GSCAH090 MX	MX	930		3
GSCAH090 PY1C	PY1C	930		3
GSCAH095PY1	PY1	980		3,13
GSCAH095MX	MX	980		3,13
GSCAH095PY1C	PY1C	980		3,13
GSCAH100PY1	PY1	1030		3,25
GSCAH100MX	MX	1030		3,25
GSCAH100PY1C	PY1C	1030		3,25
GSCAH105PY1	PY1	1080		3,38
GSCAH105MX	MX	1080		3,38
GSCAH105PY1C	PY1C	1080		3,38

Trapeze Support

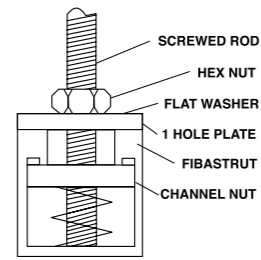


GS3 Fibstrut channel can be cut into pieces which are 25mm longer on each side than the tray or ladder itself (i.e. for a 300mm tray, the piece of strut will be 350mm wide).

A hole will be drilled in the base of this strut at each end at approximately 15mm centres (from the end).

A spring channel nut with the appropriate hole (M10 recommended) will be placed directly above each hole and threaded rod of this diameter then screwed through the holes and secured with appropriate nuts and extra large washers below the strut.

Note: GS1 strut is not recommended to support GRP tray or ladder, please see page 60 for PVC tray recommendations.



Fibrostrut to be used as a suspension support GS3 is recommended as a as a suspension support for GRP cable trays or ladders

Support Systems

Fastener Selection Chart – SS316 / GRYLON / Fasteners for Strut / Tray / Troughing / Ladder Systems					
	Material	Length (mm)	Thread Size & Reference Numbers		Remarks
			M8	M10	
	Spring Nut	SS316	SZ8	SZ10	For higher duty applications in Fibstrut
	Hexagonal Nut	SS316	MSS8N	MSS10N	For all applications
	Round Washer	SS316	W8SS	W10SS	
	Spreader Washer (flat plate)	GRP	GSC1 Thread size and reference numbers- Not applicable		Spreader washer (flat plate) for Trapeze supports and Heavy Duty Cantilevers
	Crinkle Washer	SS316	SCW8S		For higher security applications
	Hexagonal Bolt	SS316	20	MSS8B	
	Pan Head Bolts	SS316	20	MSS820BP	
	Hex Bolt, Nut &	Grylon	25	MG8	No washer required for Grylon

